

ELKAY®

commercial
products

Water Coolers and Drinking Fountains



Discover the
professional's choice.™



DFC-20

TABLE OF CONTENTS

Options/Product Features	2 - 3
ADA Bottle Filling Stations	4 - 5
ADA Water Coolers	6 -19
ADA Drinking Fountains	20-28
Wall Mounted Water Coolers	29-31
Floor Standing Water Coolers	32-33
Drinking Fountains	34-37
Outdoor Drinking Fountains	38-42
Remote Water Chillers	43
Accessories	44-46
Index	47

Elkay is sure to have a water cooler or drinking fountain that will meet, or exceed, your specifications. Select from a wide variety of coolers and fountains that meet **adult or child ADA** standards, as well as coolers that offer the added assurance of our *WaterSentry® Plus Filter System*.

A recent addition is our new **EZH2O™ Bottle Filling Station**. This new, innovative product line continues our commitment to delivering clean water and sustainable design. It provides a rapid fill of filtered water to quench thirst and minimize plastic bottle waste in the environment. Elkay offers the ideal cooler, fountain and bottle filling station for medical facilities, schools and universities, office buildings, airports, shopping malls, sports arenas and other high-traffic venues, for both indoor and outdoor installations.

At Elkay, we are always looking for ways to make great products even better. Superior quality and popular features combine with a vast array of available options, allowing our customers to find the right water cooler, drinking fountain, or bottle filling station for any application. As you browse through our catalog, you can easily identify available options specific to individual products by the icons shown below.



OPTIONS

HANDS Free	FILTER EWF172 1500 Gal.	FILTER LF-2 750 Gal.	GLASS FILLER LK1110 Push Lever	GLASS FILLER LK1114 Push Down	GLASS FILLER LK109A Carafe Filler	220 VOLTS
BUBBLER Vandal Resistant	CANE Apron	CANE Apron	CANE Apron	CANE Apron	CANE Apron	WALL Plate
ACCESS Panel	HOT WATER Server	FOOT PEDAL Kit	LOUVER Screens	FREEZE Protection	FROST Resistant	

COLOR OPTIONS

Elkay's color tones have a quiet presence that makes them ideal choices for both new construction and retrofits. They are as durable as they are beautiful, with cabinets made from a tough vinyl bonded to steel, resulting in an impact resistant product that adds an enhanced decorative appearance to any environment.

Stainless Steel products (available at an additional cost) feature complete cabinet, panels and basin constructed of long-wearing, easy-care stainless steel with satin finish.

Although the color tones are reproduced as accurately as possible, you may want to order actual color samples.

How to Order Colors

Color options are available on select models only. Color availability is noted in model descriptions within the catalog.

LIGHT GRAY GRANITE Ordering Code - L	NATURAL ALMOND Ordering Code - N	SANDALWOOD Ordering Code - T	STAINLESS STEEL Cabinet Ordering Code - S	White Granite Composite Ordering Code - R
------------------------------------------------	--------------------------------------------	----------------------------------------	-----------------------------------------------------	-----------------------------------------------------

ELKAY WATER COOLERS AND DRINKING FOUNTAINS ... THE PROFESSIONAL'S CHOICE!

- Elkay water coolers, drinking fountains and remote chillers are certified to **NSF/ANSI 61-Annex G, AB1953**
- Elkay coolers and fountains are manufactured with a waterway system utilizing copper components and **completely lead-free material**.
- **Flexi-Guard® Safety Bubbler** features contemporary styling and a special anti-microbial agent that is infused into the bubbler, for an extra level of security.
- **Filtrex System®** prevents larger impurities from entering the cooler.
- Most Elkay electric water coolers are listed by **Underwriters Laboratories Inc.** and comply with both Canadian and U.S. requirements
- Designed to meet **A.R.I. standard 1010**
- Elkay's Savanna, Illinois plant is **ISO 9001** registered.



Table for estimating delivered G.P.H. of 50° F drinking water at various temperatures and water inlet temperatures.

Factor	1.58	1.15	0.84	1.53	1.08	0.80	1.40	1.00	0.75	1.25	0.92	0.65
Room Temperature ° F	70	70	70	80	80	80	90	90	90	100	100	100
Water Inlet Temperature ° F	70	80	90	70	80	90	70	80	90	70	80	90

Example: Water Cooler size – 8.9 G.P.H. (at Standard rating 90° F- 80° F). Desired condition – Ambient 80° F, water inlet 70° F. Estimated capacity = factor x G.P.H. (rated).
 = 1.53 x 8.9
 = 13.6 GPH

Suggested Bubbler Service Information

To determine the number of people that can be served, multiply the G.P.H. of your cooler by the standard bubbler service ratings below that best state your needs.

Installation	Standard Bubbler Service Rating*	Installation	Standard Bubbler Service Rating*
Offices	25	Light Mfg.	15
Hospitals	25	Heavy Mfg.	12
Schools	25	Hot Heavy Mfg.	10

*Based on Standard Rating Conditions of ARI Standard 1010.

NOTICE

Elkay ADA Coolers comply with the Americans with Disabilities Act (ADA) and Architectural Barriers Act (ABA) Accessibility Guidelines for Buildings and Facilities, when properly installed.

Check local codes for other requirements that might apply. Elkay Water Coolers and Drinking Fountains comply with and surpass the lead free definition in the Safe Drinking Water Act and Lead Contamination Control Act of 1988 and 1998.

Elkay Pressure-Type Water Coolers are designed to operate on **20 psi to 105 psi** supply line pressure. If inlet pressure is above **105 psi**, a pressure regulator must be installed in the supply line. Any damage caused by reason of connecting this product to supply line pressures lower than **20 psi** or higher than **105 psi** is not covered by the warranty. *A minimum 40 psi supply line pressure is required in special circumstances when both sides of a bi-level model are in use*

simultaneously, to ensure adequate stream height. Use of a water filter in this situation is not recommended. (Does not apply to non-refrigerated units.)

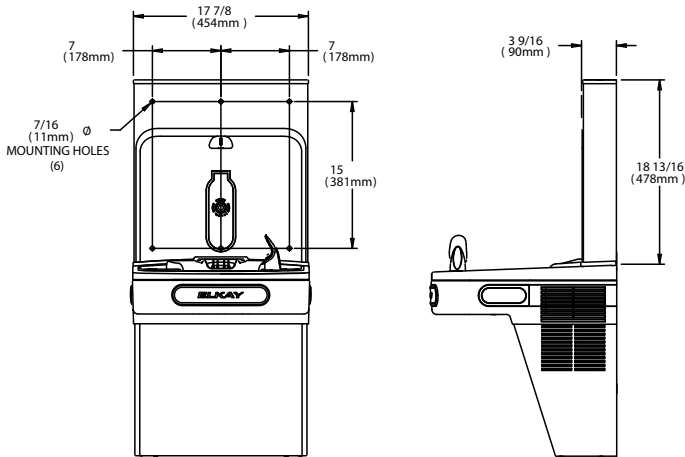
Visit us at elkayusa.com for most current warranty information.

Line drawings are for reference only. Please refer to the latest specification sheet for actual dimensions.

EZH2O™ BOTTLE FILLING STATION

Standard Features

- n **Available as:**
 - **Retro-fit Kit** which attaches to most 115V/60Hz existing **EZ pushbar-activated** water coolers to create a bottle filling station.
 - **Complete filtered water cooler and bottle filling station**
- n Ideal for education, healthcare facilities, fitness clubs, and hospitality
- n **Quick fill rate** is 1.1 gpm for refrigerated units and 1.5 gpm for non-refrigerated units; 3 times faster than a traditional drinking fountain
- n The electronic sensor provides **touchless, sanitary operation**; just place and fill
- n Automatic 30-second **shut-off timer**
- n **New WaterSentry® Plus 3000 Gallon Filter** is included (Third party certified to NSF 42 and 53 for taste, odor and lead reduction)
- n **Integrated Silver Ion Anti-microbial protection** against mold and mildew growth
- n **Visual user interface display** includes:
 - **Filter Monitor** indicating when replacement is necessary
 - **Innovative Green Ticker™** counting the quantity of 16 oz. bottles saved from land fills for non-refrigerated units and 12 oz. bottles saved for refrigerated units
- n Space-saving **ADA Design**



New!



LZS8WS*K

New!



LZWSRK

ACCESSORY ADAPTER PLUG

Available for use when installing LZWSRK Retro Kit to existing bi-level coolers. Order as 36292C.

For filter replacement cartridges, order:

- 51300C (single)
- 51300C_3PK (three-pack)

Model #	Configuration	Refrigeration	StreamSaver™ Bubbler Style
LZWSRK	Retro-fit Kit	—	—
LZS8WS*K	EZ Single Cooler + EZH2O	Yes	Flexi-Guard®
LZS8WSVR*K	EZ Single Cooler + EZH2O	Yes	Vandal-Resistant
LZSDWS*K	EZ Single Cooler + EZH2O	No	Flexi-Guard®
LZSDWSVR*K	EZ Single Cooler + EZH2O	No	Vandal-Resistant
LZSTL8WS*K	EZ Bi-Level Cooler + EZH2O	Yes	Flexi-Guard®
LZSTL8WSVR*K	EZ Bi-Level Cooler + EZH2O	Yes	Vandal-Resistant
LZSTLDDWS*K	EZ Bi-Level Cooler + EZH2O	No	Flexi-Guard®
LZSTLDDWSVR*K	EZ Bi-Level Cooler + EZH2O	No	Vandal-Resistant
LZSTLR8WS*K	EZ Bi-Level Reverse Cooler + EZH2O	Yes	Flexi-Guard®
LZSTLR8WSVR*K	EZ Bi-Level Reverse Cooler + EZH2O	Yes	Vandal-Resistant
LZSTLRDDWS*K	EZ Bi-Level Reverse Cooler + EZH2O	No	Flexi-Guard®
LZSTLRDDWSVR*K	EZ Bi-Level Reverse Cooler + EZH2O	No	Vandal-Resistant

*Indicates cooler panel option ("L" for light gray vinyl, "S" for stainless steel)

New!



THIRD PARTY CERTIFIED TO NSF/ANSI 61

LZWSM8K

New!



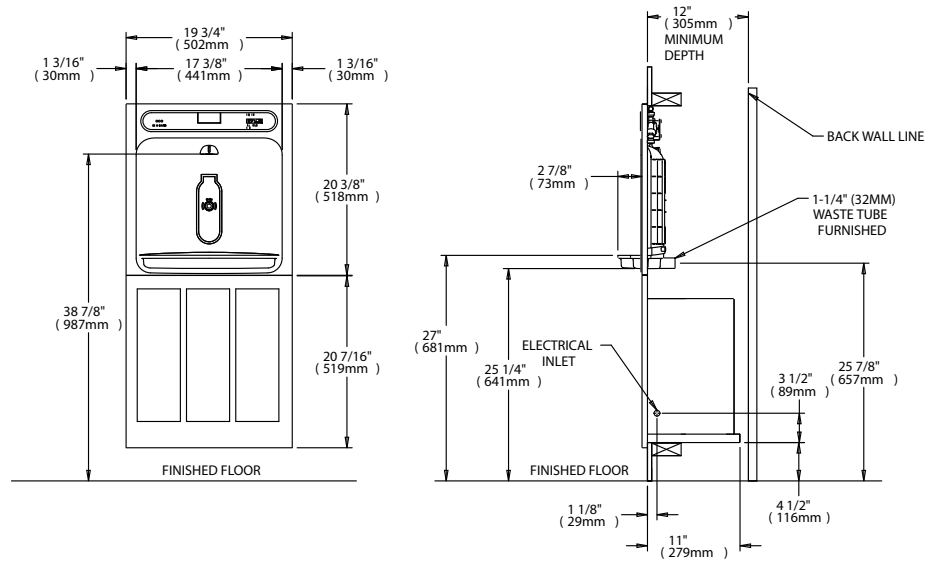
THIRD PARTY CERTIFIED TO NSF/ANSI 61

LZWSMDK

EZH20™ IN-WALL RECESSED BOTTLE FILLING STATION

Standard Features

- Designed as a stand-alone unit or to be paired with an Elkay SwirFlo® or Soft Sides® architectural fountain
- Ideal for education, healthcare facilities, fitness clubs, and hospitality
- **Quick fill rate** is 1.1 gpm for refrigerated units and 1.5 gpm for non-refrigerated units
- The electronic sensor provides **touchless, sanitary operation**; just place and fill
- Automatic 30-second **shut-off timer**
- **New WaterSentry® Plus 3000 Gallon Filter** is included (Third party certified to NSF 42 and 53 for taste, odor and lead reduction)
- **Integrated Silver Ion Anti-microbial protection** against mold and mildew growth
- **Visual user interface display** includes:
 - **Filter Monitor** indicating when replacement is necessary
 - **Innovative Green Ticker™** counting the quantity of 16 oz. bottles saved from land fills for non-refrigerated units and 12 oz. bottles saved for refrigerated units
- Includes **mounting frame** for quick and simple installation
- **Hinged door** for easy servicing



For filter replacement cartridges, order:

- 51300C (single)
- 51300C_3PK (three-pack)

Model #	Refrigerated	Applications			
		Stand-alone	Soft Sides® models (all)*	SwirFlo® refrigerated models*	SwirFlo® non-refrigerated models*
LZWSM8K	Yes	Yes	Yes	Yes	—
LZWSMDK	No	Yes	Yes	Yes	—
LZWSM8PK	Yes	Yes	Yes	—	Yes
LZWSMDPK	No	Yes	Yes	—	Yes

* Fountains ordered separately

WALL MOUNT ADULT OR CHILD ADA GreenSpec® LISTED MODELS

Standard Features

- **GreenSpec Listed**, an industry exclusive!
- **Over 50% More Energy Efficient** ^u
- **Vandal-Resistant StreamSaver™ Bubbler Reduces Water Usage** by almost 40% ^u
- **Reduces Refrigerant Use** by nearly 8% ^u
- **Produced from 60% Recycled Content Stainless Steel**
- **No Lead Design** water system is free of lead-containing brass parts.
- **Barrier-Free ADA Design** meets adult or child ADA standards when properly installed.
- **Rated For Indoor And Outdoor Service** for ultimate versatility.
- **Vandal-Resistant, Single-Action Mechanical Pushbutton** is self-closing and does not require grasping or twisting.
- **Pinned Torx Screws** are vandal-resistant.
- **Stream Height Regulator** can be adjusted through hole in pushbutton, and provides constant stream from 20 to 105 psi.
- **Durable Satin Finish Stainless Steel Cabinet** standard.
- **Resists Stains And Corrosion** for years of service.
- **Ideal For Schools** and other heavy-use installations.
- Available as a **single (VRCGRN8)** or **bi-level unit (VRCGRNTL8C)**

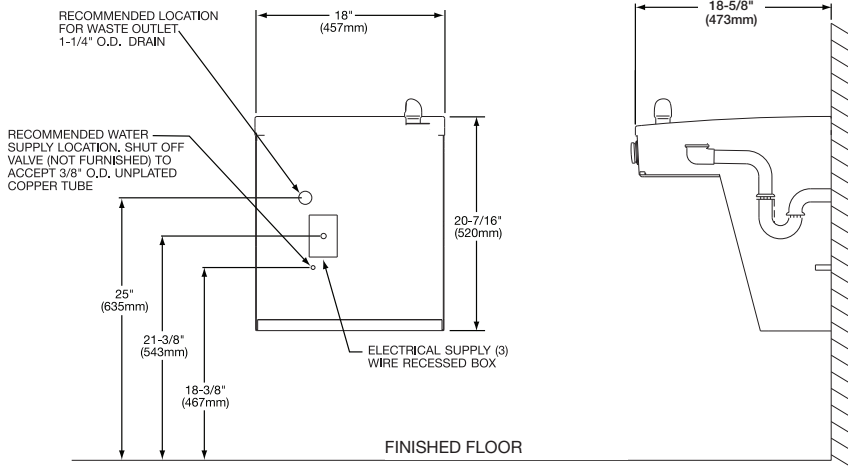


VRCGRN8



VRCGRNTL8C

^u Over average market performance



OPTIONAL ACCESSORY PACKAGE



Options / Upgrades

Model #	Standard Features	G.P.H.* Capacity	Full Load Amps	Rated Watts	Ship. Wt. Lbs.	Cane Apron
VRCGRN8		8.0	4.0	370	66	
LVRCGRN8F		8.0	4.0	370	66	
VRCGRNTL8C		8.0	4.0	370	70	1
LVRCGRNTL8FC		8.0	4.0	370	98	1

*Based on 80° F inlet water temperature, 90° F room temperature, 50° F drinking water temperature.

1 Available option
Note: If blank, option not available

WALL MOUNT ADULT OR CHILD ADA VANDAL-RESISTANT HEAVY-DUTY MODELS

Standard Features

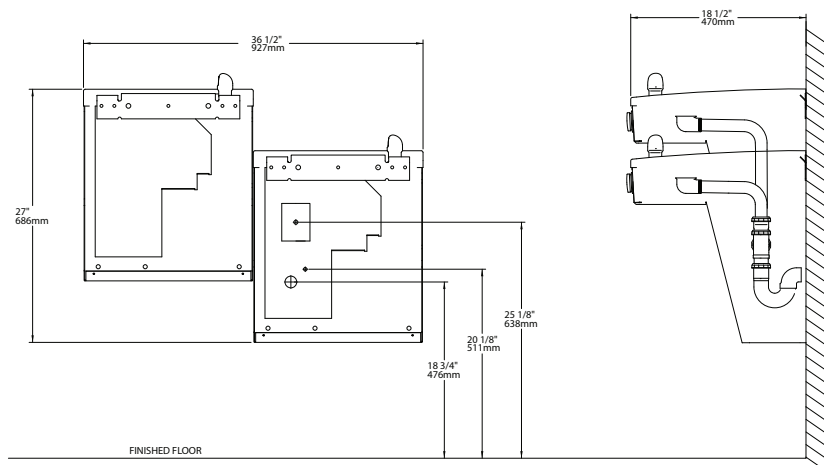
- **Heavy-duty 14 Gauge** stainless steel cabinet with integrated basin.
 - **Vandal-Resistant StreamSaver™ Bubbler Reduces Water Usage** by almost 40% ^u
 - **No Lead Design** water system is free of lead-containing brass parts.
 - **Barrier-Free ADA Design** meets adult or child ADA standards when properly installed.
 - **Rated For Indoor And Outdoor Service** for ultimate versatility.
 - **Vandal-Resistant, Single-Action Mechanical Pushbutton** is self-closing and does not require grasping or twisting.
 - **Pinned Torx Screws** are vandal-resistant.
 - **Stream Height Regulator** can be adjusted through hole in pushbutton, and provides constant stream from 20 to 105 psi.
 - **Durable Satin Finish Stainless Steel Cabinet** standard.
 - **Resists Stains And Corrosion** for years of service.
 - **Ideal For Schools** and other heavy-use installations.
 - Available as a **single (VRCHD8S)** or **bi-level unit (VRCHDTL8SC)**
- ^u Over average market performance



VRCHD8S



VRCHDTL8SC



Options / Upgrades

Model #	Standard Features	G.P.H.* Capacity	Full Load Amps	Rated Watts	Ship. Wt. Lbs.	Filter
VRCHD8S		8.0	4.0	370	73	1
VRCHDTL8SC		8.0	4.0	370	110	1
VRCHDDS	Cabinet only. Refrigeration not included.				55	1

*Based on 80° F inlet water temperature, 90° F room temperature, 50° F drinking water temperature.

1 Available option

WALL MOUNT ADULT OR CHILD ADA SENSOR OPERATED MODELS WITH VISUAL FILTER MONITOR

Standard Features

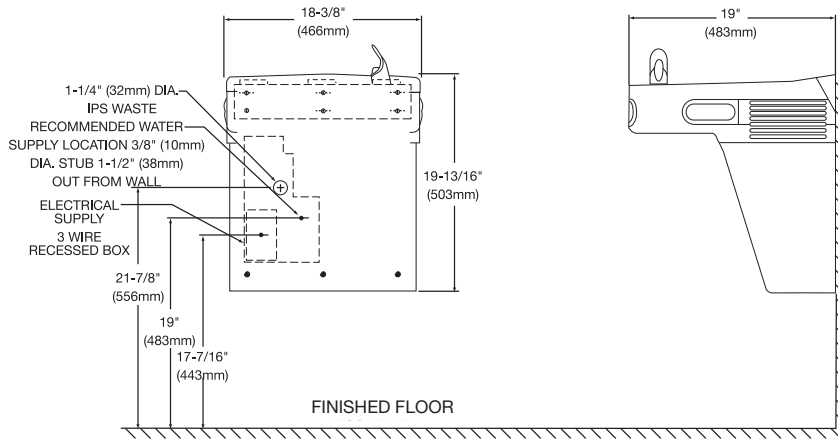
- **LED display** confirms filtered water delivery and indicates when filter needs replacing.
- **Electronic sensor** provides hands-free sanitary operation.
- **Auto shut-off** device prevents need to turn off water supply to change filter.
- **No Lead Design** water system is free of lead-containing brass parts.
- **Barrier-Free ADA Design** meets adult or child ADA standards when properly installed.
- **Rated For Indoor Service.**
- **Extra Deep Basin** minimizes splashing and its one-piece construction, with integrated drain, is vandal-resistant and easy to maintain.
- **Flexi-Guard Anti-Microbial Safety Bubbler** complements styling of cooler and is keyed into position to prevent rotation.
- **Easy-To-Install Universal Design** adapts easily to existing plumbing systems.
- **Light Gray Granite Vinyl Clad Cabinet** standard.
- **Impact Resistant Vinyl Coating** offers superior durability and performance.
- Available as a **single (LZ08)** or **bi-level unit (LZOSTL8C)**.







LZ08



LZOSTL8C



Options / Upgrades

Model #	Standard Features	G.P.H.* Capacity	Full Load Amps	Rated Watts	Ship. Wt. Lbs.	Glass Filler	220 Volts	Bubbler Vandal Resistant	Stainless Steel Cabinet
LZ08	 	8.0	4.0	370	59		1	1	1
LZOSTL8C	 	8.0	4.0	370	92	1	1	1	1
LZOD	Cabinet only. Refrigeration not included. Requires electricity to operate switches.				33			1	1
LZOSTLDC	Cabinet only. Refrigeration not included. Requires electricity to operate switches.				66	1		1	1

*Based on 80° F inlet water temperature, 90° F room temperature, 50° F drinking water temperature.

1 Available option

WALL MOUNT ADULT OR CHILD ADA SENSOR OPERATED MODELS



EZO8

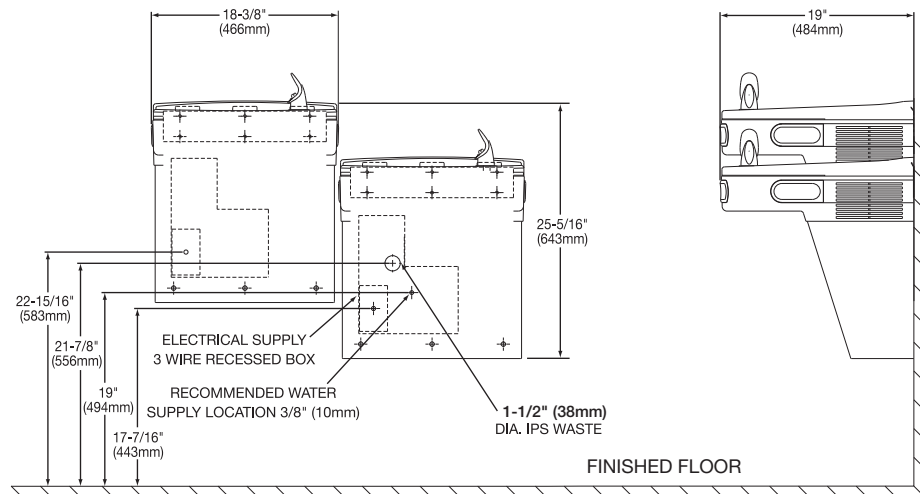


Standard Features

- **Electronic sensor** provides hands-free sanitary operation.
- **No Lead Design** water system is free of lead-containing brass parts.
- **Barrier-Free ADA Design** meets adult or child ADA standards when properly installed.
- **Rated For Indoor Service.**
- **Extra Deep Basin** minimizes splashing and its one-piece construction, with integrated drain, is vandal-resistant and easy to maintain.
- **Easy-Touch Controls** for easy operation and increased durability.
- **Flexi-Guard Anti-Microbial Safety Bubbler** complements styling of cooler and is keyed into position to prevent rotation.
- **Easy-To-Install Universal Design** adapts easily to existing plumbing systems.
- **Light Gray Granite Vinyl Clad Cabinet** standard.
- **Impact Resistant Vinyl Coating** offers superior durability and performance.
- Available as a **single (EZO8)** or **bi-level unit (EZOSTL8C)**.



EZOSTL8C



Options / Upgrades

Model #	Standard Features	G.P.H.* Capacity	Full Load Amps	Rated Watts	Ship. Wt. Lbs.	Glass Filler	220 Volts	Bubbler Vandal Resistant	Cane Apron	Stainless Steel Cabinet
EZO8		8.0	4.0	370	56					
EZOD		Cabinet only. Refrigeration not included. Requires electricity to operate switches.			33					
EZOSTL8C		8.0	4.0	370	89					

*Based on 80° F inlet water temperature, 90° F room temperature, 50° F drinking water temperature.

1 Available option

WALL MOUNT ADULT OR CHILD ADA MODELS

Standard Features

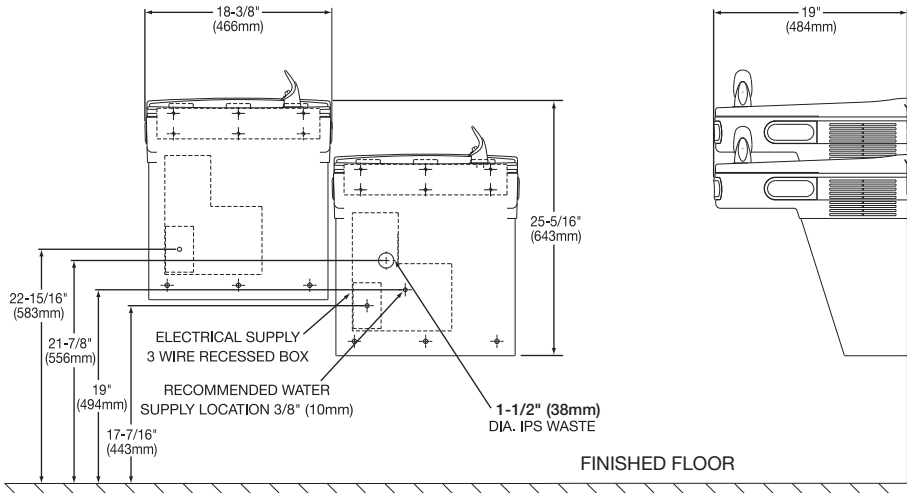
- **No Lead Design** water system is free of lead-containing brass parts.
- **Barrier-Free ADA Design** meets adult or child ADA standards when properly installed.
- **Bi-Level Design** offers the flexibility of a second unit at standard height.
- **Rated For Indoor Service.**
- **Extra Deep Basin** minimizes splashing and its one-piece construction, with integrated drain, is vandal-resistant and easy to maintain.
- **Easy-Touch Controls** for easy operation and increased durability.
- **Flexi-Guard Anti-Microbial Safety Bubbler** complements styling of cooler and is keyed into position to prevent rotation.
- **Easy-To-Install Universal Design** adapts easily to existing plumbing systems.
- **Light Gray Granite Vinyl Clad Cabinet** standard.
- **Impact Resistant Vinyl Coating** offers superior durability and performance.
- Available as a **single** or **bi-level** unit (**TL models**).








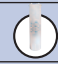

THIRD PARTY CERTIFIED TO NSF/ANSI 61
EZS8




THIRD PARTY CERTIFIED TO NSF/ANSI 61
EZSTL8C



Options / Upgrades

Model #	Standard Features	G.P.H.* Capacity	Full Load Amps	Rated Watts	Ship. Wt. Lbs.	 Glass Filler	 220 Volts	 Bubbler Vandal Resistant	 Cane Apron	 Stainless Steel Cabinet
EZS8		8.0	4.0	370	56	1	1	1		1
LZS8		8.0	4.0	370	59	1	1	1		1
EZSD		Cabinet only. Refrigeration not included. Requires electricity to operate switches.			33	1	S	S		1
EZSTL8C		8.0	4.0	370	89	1	1	1	1	1
EZSTLR8C (Reverse Height)		8.0	4.0	370	89	1	1	1	1	1
LZSTL8C		8.0	4.0	370	92	1	1	1	1	1
EZSTLDDC		Cabinet only. Refrigeration not included. Requires electricity to operate switches.			66	1	S	S	1	1

*Based on 80° F inlet water temperature, 90° F room temperature, 50° F drinking water temperature.

1 Available option
S Special order option (minimums apply)
Note: If blank, option not available



VRC8S

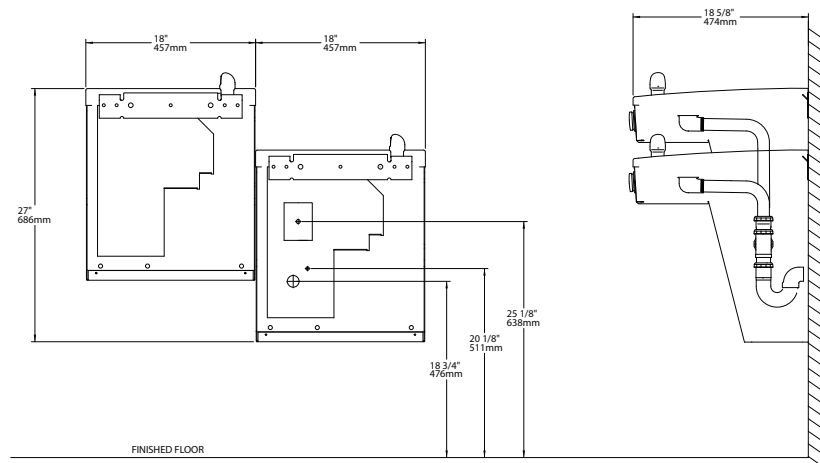
WALL MOUNT ADULT OR CHILD ADA VANDAL-RESISTANT MODELS

Standard Features

- **No Lead Design** water system is free of lead-containing brass parts.
- **Barrier-Free ADA Design** meets adult or child ADA standards when properly installed.
- **Bi-Level Design** offers the flexibility of a second unit at standard height.
- **Rated For Indoor And Outdoor Service** for ultimate versatility.
- **Vandal-Resistant Bubbler** - chrome-plated, one-piece design.
- **Vandal-Resistant, Single-Action Mechanical Pushbutton** is self-closing and does not require grasping or twisting.
- **Pinned Torx Screws** are vandal-resistant.
- **Stream Height Regulator** can be adjusted through hole in pushbutton, and provides constant stream from 20 to 105 psi.
- **Durable Satin Finish Stainless Steel Cabinet** standard.
- **Resists stains and corrosion** for years of service.
- **Ideal For Schools** and other heavy-use installations.
- Available as a **single** or **bi-level** unit (**TL models**).



VRCTL8SC



Options / Upgrades

Model #	Standard Features	G.P.H.* Capacity	Full Load Amps	Rated Watts	Ship. Wt. Lbs.	220 Volts	Cane Apron	Louver Screens	Frost Resistant †
VRC8S		8.0	4.0	370	66	1		1	1
LVRC8S		8.0	4.0	370	68	1		1	
VRCDS		Cabinet only. Refrigeration not included.			28			1	1
VRCTL8SC		8.0	4.0	370	94	1	1	1	1
VRCTLR8SC (Reverse Height)		8.0	4.0	370	94	1	1	1	1
LVRCTL8SC		8.0	4.0	370	97	1	1	1	1
VRCTLDDSC		Cabinet only. Refrigeration not included.			56		1	1	1

*Based on 80° F inlet water temperature, 90° F room temperature, 50° F drinking water temperature.

† Not for use with 220 volt units.

1 Available option

Note: If blank, option not available

WALL MOUNT ADULT OR CHILD ADA MECHANICALLY ACTIVATED MODELS

Standard Features

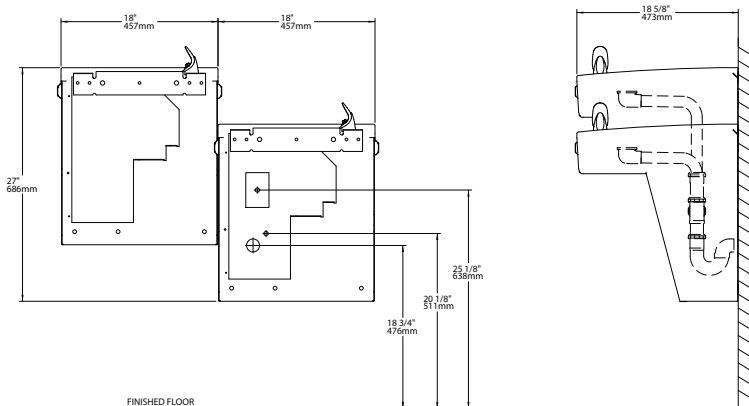
- **No Lead Design** water system is free of lead-containing brass parts.
- **Barrier-Free ADA Design** meets adult or child ADA standards when properly installed.
- **Self-Closing Mechanically Activated Pushbars** on both front and sides operate even during power disruption.
- **Rated For Indoor Service.**
- **Flexi-Guard Anti-Microbial Safety Bubbler** complements styling of cooler and is keyed into position to prevent rotation.
- **Stream Height Regulator** provides constant stream from 20 to 105 psi.
- **Light Gray Granite Vinyl Clad Cabinet** standard.
- **Impact Resistant Vinyl Coating** offers superior durability and performance.
- Available as a **single** or **bi-level** unit (**TL models**).



EMABF8



EMABFTL8C



Options / Upgrades

Model #	Standard Features	G.P.H.* Capacity	Full Load Amps	Rated Watts	Ship. Wt. Lbs.	220 Volts	Bubbler Vandal Resistant	Cane Apron	Stainless Steel Cabinet
EMABF8		8.0	4.0	370	72	1	1		1
LMABF8		8.0	4.0	370	75	1	1		1
EMABFD		Cabinet only. Refrigeration not included.			35		1		1
EMABFTL8C		8.0	4.0	370	93	1	1	1	1
EMABFTLR8C		8.0	4.0	370	93	1	1	1	1
LMABFTL8C		8.0	4.0	370	96	1	1	1	1
EMABFTLDDC		Cabinet only. Refrigeration not included.			72		1	1	1
EMABFTLRDDC		Cabinet only. Refrigeration not included.			72		1	1	1



*Based on 80° F inlet water temperature, 90° F room temperature, 50° F drinking water temperature.

1 Available option
Note: If blank, option not available

WALL MOUNT ADULT ADA LEGACY MODELS



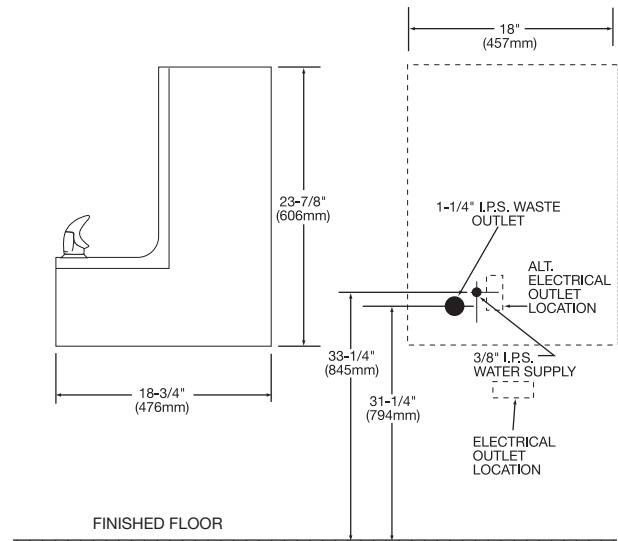
EHFS A8

Standard Features


- **No Lead Design** water system is free of lead-containing brass parts.
- **Barrier-Free ADA Design** meets adult ADA standards when properly installed.
- **One-Piece Backsplash and Basin** polished to a satin finish.
- **Light-Touch Controls** on front and sides for easy operation
- **Flexi-Guard Anti-Microbial Safety Bubbler** complements styling of cooler and is keyed into position to prevent rotation.
- **Light Gray Granite Vinyl Clad Cabinet** standard.
- **Impact Resistant Vinyl Coating** offers superior durability and performance.
- **EHFS A Models** are rated for indoor service.
- **OHFAVR Vandal-Resistant Model** is rated for outdoor service.



OHFAVR8



Options / Upgrades

Model #	Standard Features	G.P.H.* Capacity	Full Load Amps	Rated Watts	Ship. Wt. Lbs.	Glass** Filler	220 Volts	Natural Almond	Sandalwood	Stainless Steel Cabinet
EHFS A8		7.6	4.0	370	70	1	1	1	1	1
EHFSAD		Cabinet only. Refrigeration not included.			31	1		1	1	1
OHFAVR8		7.6	4.0	370	72					1

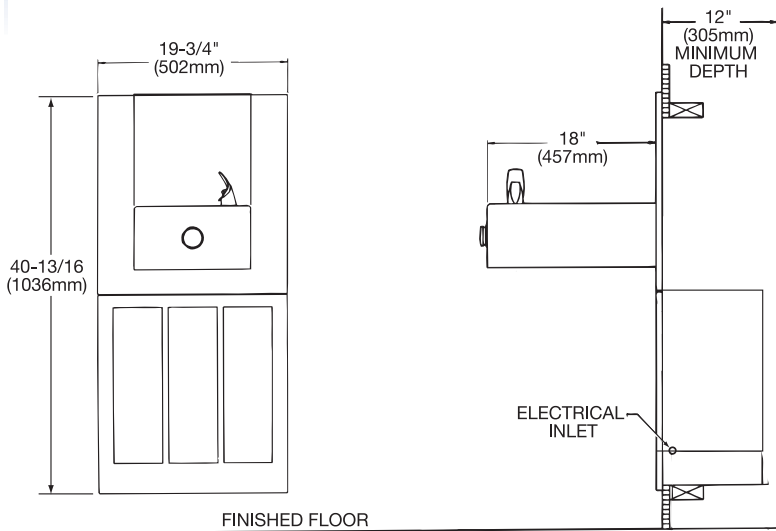
* Based on 80° F inlet water temperature, 90° F room temperature, 50° F drinking water temperature.
 ** Factory installed only

1 Available option
 Note: If blank, option not available

SOFT SIDES® CHILD OR ADULT ADA MODELS

Standard Features

- **No Lead Design** water system is free of lead-containing brass parts.
- **Barrier-Free ADA Design** meets child ADA standards (model ECRSPM8K) or adult ADA (models ERFPM8K and EROM8K) when properly installed.
- **Rated For Indoor Service.**
- **Stream Height Regulator** provides constant stream from 20 to 105 psi.
- **Front Pushbutton** provides easy operation.
- **Attractive Curved Profile** offers safe, unobstructive access.
- **Flexi-Guard Anti-Microbial Safety Bubbler** complements styling of cooler and is keyed into position to prevent rotation.
- **Contoured Basin** provides a splash-resistant surface.
- **Removable Louvered Front Ventilating Grill** encloses refrigeration and plumbing.
- **Durable Satin Finish Stainless Steel** standard.
- **Bottom Cover Plate** prevents vandalism.



ECRSPM8K



ERFPM8K



EROM8K

Options / Upgrades

Model #	Standard Features	G.P.H.* Capacity	Full Load Amps	Rated Watts	Ship. Wt. Lbs.	Glass Filler	220 Volts	Bubbler Vandal Resistant
ECRSPM8K		7.5	4.0	370	99	1	1	1
LCRSPM8K		7.5	4.0	370	103	1	1	1
ERFPM8K		7.5	4.0	370	100	1	1	1
EROM8K		7.5	4.0	370	100		1	1
LNFEM8K		7.5	4.0	370	104	1	1	1

*Based on 80° F inlet water temperature, 90° F room temperature, 50° F drinking water temperature.

1 Available option
Note: If blank, option not available



ERFPM28K

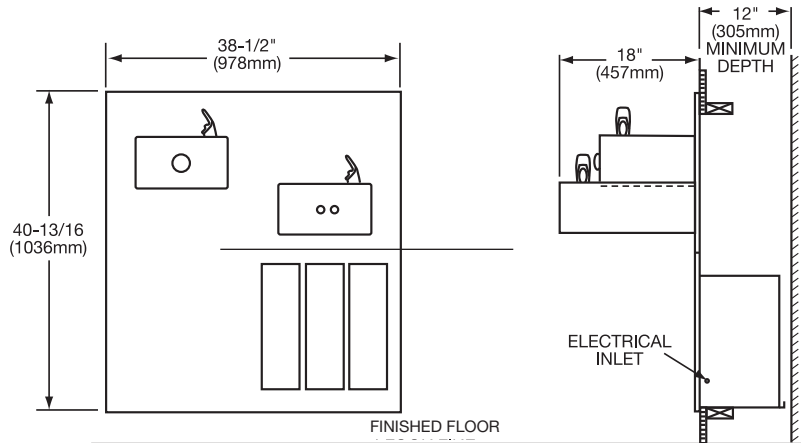


EROM28K

TWO-LEVEL SOFT SIDES® ADULT ADA MODELS

Standard Features

- **No Lead Design** water system is free of lead-containing brass parts.
- **Barrier-Free ADA Design** meets adult ADA standards when properly installed.
- **Rated For Indoor Service.**
- **Bi-Level Design** offers the flexibility of a second unit at conventional height.
- **Stream Height Regulator** provides constant stream from 20 to 105 psi.
- **Front Pushbutton** provides easy operation.
- **Attractive Curved Profile** offers safe, unobstructive access.
- **Flexi-Guard Anti-Microbial Safety Bubbler** complements styling of cooler and is keyed into position to prevent rotation.
- **Contoured Basin** provides a splash-resistant surface.
- **Removable Louvered Front Ventilating Grill** encloses refrigeration and plumbing.
- **Durable Satin Finish Stainless Steel** standard.
- **Bottom Cover Plate** prevents vandalism.



Options / Upgrades

Model #	Standard Features	G.P.H.* Capacity	Full Load Amps	Rated Watts	Ship. Wt. Lbs.	Glass Filler	220 Volts	Bubbler Vandal Resistant	Cane Apron
ERFPM28K		7.5	4.0	370	136	1	1	1	1
EROM28K		7.5	4.0	370	136	1	1	1	1
LNTEM8K		7.5	4.0	370	140	1	1	1	1

*Based on 80° F inlet water temperature, 90° F room temperature, 50° F drinking water temperature.

1 Available option
Note: If blank, option not available

WALL MOUNT ADULT ADA SWIRLFLO® MODELS

Standard Features

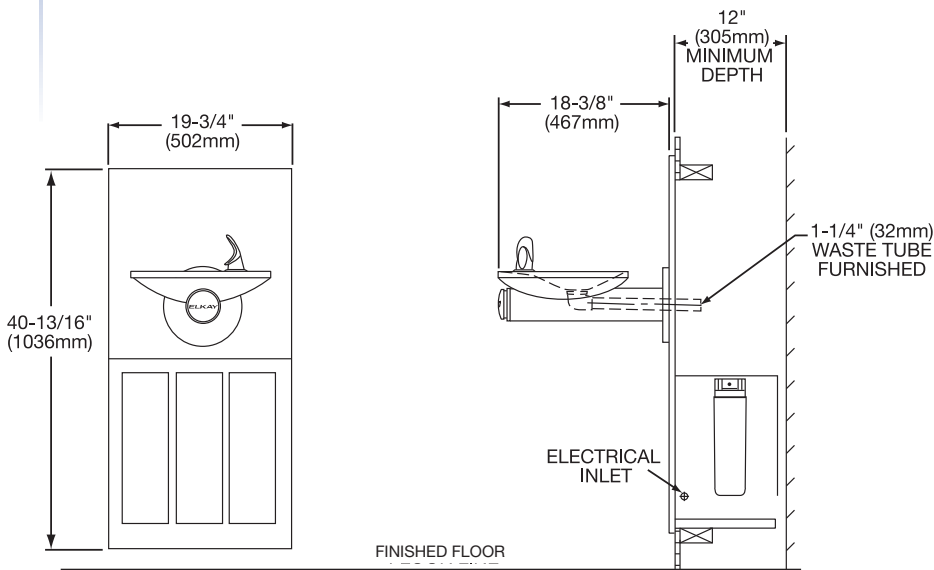
- **No Lead Design** water system is free of lead-containing brass parts.
- **Barrier-Free ADA Design** meets adult ADA standards when properly installed.
- **Rated For Indoor Service.**
- **Contoured Basin** designed to provide a splash - resistant surface.
- **Stream Height Regulator** provides constant stream from 20 to 105 psi.
- **Flexi-Guard Anti-Microbial Safety Bubbler** complements styling of cooler and is keyed into position to prevent rotation.
- **Removable Louvered Front Ventilating Grill** encloses refrigeration and plumbing.
- **Durable Satin Finish Stainless Steel** standard.



ERPBM8K



ENOBM8K



Options / Upgrades

Model #	Standard Features	G.P.H.* Capacity	Full Load Amps	Rated Watts	Ship. Wt. Lbs.	220 Volts	Bubbler Vandal Resistant
ERPBM8K		7.5	4.0	370	93	1	1
ENOBM8K		7.5	4.0	370	98	1	1
LRPBM8K		7.5	4.0	370	94	1	1

*Based on 80° F inlet water temperature, 90° F room temperature, 50° F drinking water temperature.

1 Available option



ERPBM28K

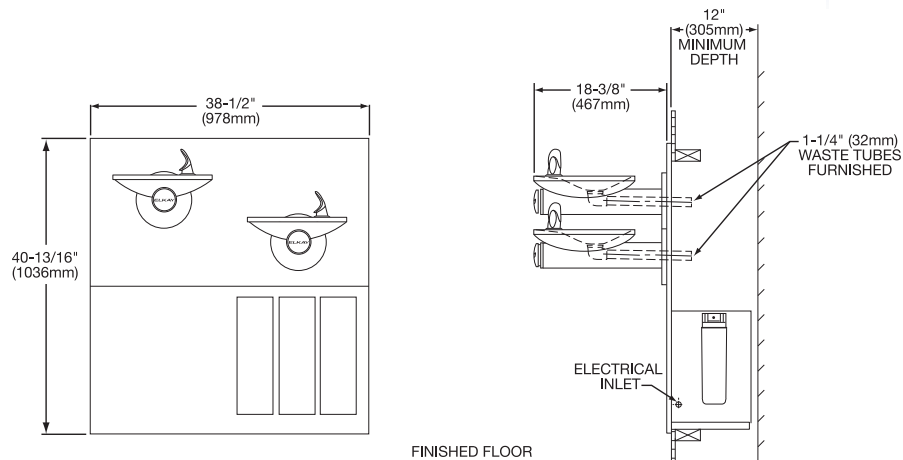


ENOBM28K

TWO-LEVEL ADULT ADA SWIRLFLO® MODELS

Standard Features

- **No Lead Design** water system is free of lead-containing brass parts.
- **Barrier-Free ADA Design** meets adult ADA standards when properly installed.
- **Bi-Level Design** offers the flexibility of a second unit at standard height.
- **Rated For Indoor Service.**
- **Contoured Basin** designed to provide a splash - resistant surface.
- **Stream Height Regulator** provides constant stream from 20 to 105 psi.
- **Flexi-Guard Anti-Microbial Safety Bubbler** complements styling of cooler and is keyed into position to prevent rotation.
- **Removable Louvered Front Ventilating Grill** encloses refrigeration and plumbing.
- **Durable Satin Finish Stainless Steel** standard.



Options / Upgrades

Model #	Standard Features	G.P.H.* Capacity	Full Load Amps	Rated Watts	Ship. Wt. Lbs.	220 Volts	Bubbler Vandal Resistant	Cane Apron
ERPBM28K		7.5	4.0	370	140	1	1	1
ENOBM28K		7.5	4.0	370	133	1	1	1
LRPBM28K		7.5	4.0	370	141	1	1	1

*Based on 80° F inlet water temperature, 90° F room temperature, 50° F drinking water temperature.

1 Available option
Note: If blank, option not available

WALL MOUNT FULLY RECESSED MODELS

Standard Features

- **No Lead Design** water system is free of lead-containing brass parts.
- **Full Recessed Design** allows for obstacle-free hall space.
- **Barrier-Free ADA Design** meets adult ADA standards for parallel approach when properly installed.
- **Rated For Indoor Service.**
- **Cascade Basin** minimizes splashing.
- **Front Push** activation.
- **Flexi-Guard Anti-Microbial Safety Bubbler** complements styling of cooler and is keyed into position to prevent rotation.
- **Complete** with refrigeration package, mounting box and grill.
- **Stainless Steel With Polished Satin Finish** standard.



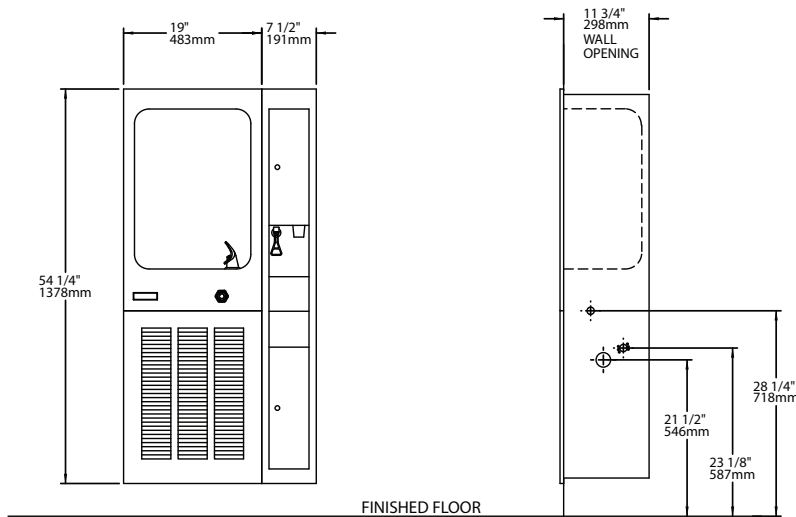
EFRFCM8K





EFRFCM8CDK



EFRPCM8K



Options / Upgrades

Model #	Standard Features	G. P.H. * Capacity	Full Load Amps	Rated Watts	Ship. Wt. Lbs.	Glass ** Filler	220 Volt
EFRFCM8K		8.0	4.0	370	107	1	1
EFRFCM12K †		12.0	4.0	370	107	1	1
LJNEM8K		8.0	4.0	370	111	1	1
LJNEM12K		12.0	4.0	370	111	1	1
EFRFCM8CDK	Cup Filler, Cup Dispenser and Waste Bin	8.0	4.0	370	137	1	1
EFRFCM12CDK †	Cup Filler, Cup Dispenser and Waste Bin	12.0	4.0	370	138	1	1
EFRPCM8K	Cuspidor	8.0	4.0	370	151	1	1

* Based on 80° F inlet water temperature, 90° F room temperature, 50° F drinking water temperature.

** Factory installed only

† Meets no-lead definition of NSF/ANSI 61 only.

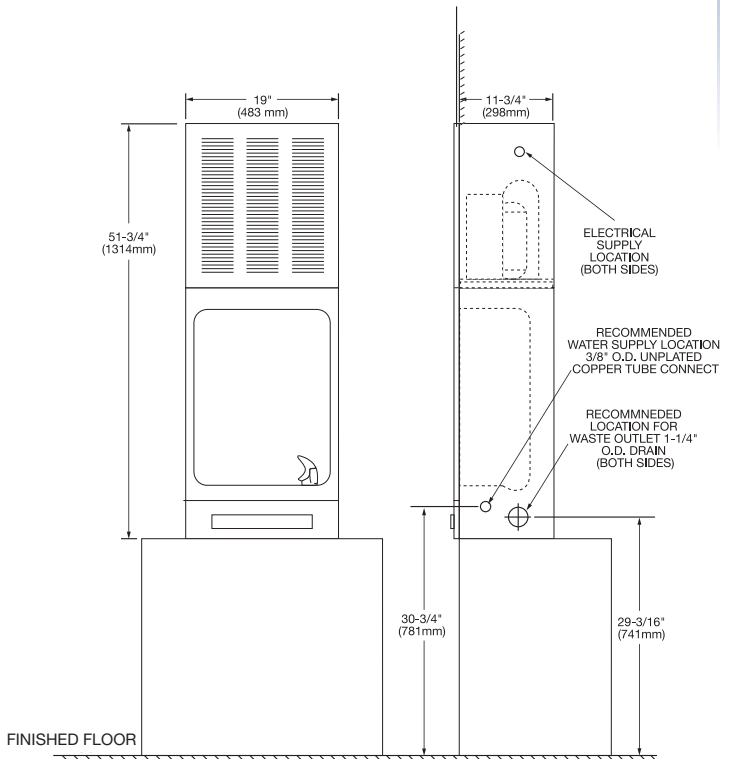
1 Available option

Note: If blank, option not available

WALL MOUNT ADULT ADA FULLY RECESSED MODEL

Standard Features

- n **No Lead Design** water system is free of lead-containing brass parts.
- n **Barrier-Free ADA Design** meets adult ADA standards when properly installed.
- n **Rated For Indoor Service.**
- n **Fully Recessed Design** allows for obstacle-free hall space.
- n **Cascade Basin** minimizes splashing.
- n **Front Pushbar Controls** with raised letters for the visually impaired.
- n **Flexi-Guard Anti-Microbial Safety Bubbler** complements styling of cooler and is keyed into position to prevent rotation.
- n **Complete** with refrigeration package, mounting box and grill.
- n **Stainless Steel With Polished Satin Finish** standard.



Options / Upgrades

Model #	Standard Features	G. P. H. * Capacity	Full Load Amps	Rated Watts	Ship. Wt. Lbs.	Glass Filler	220 Volt
EHFRAM7K		6.9	4.0	370	119	1	1

* Based on 80° F inlet water temperature, 90° F room temperature, 50° F drinking water temperature.

** Factory installed only.

1 Available option

SOFT SIDES® HEAVY-DUTY CHILD OR ADULT ADA MODELS

Standard Features

- **No Lead Design** water system is free of lead-containing brass parts.
- **Barrier-Free ADA Design** meets adult or child ADA standards (model EHWM14C) when properly installed.
- **14-Gauge Heavy-Duty Stainless Steel** with durable satin finish that resists stains and corrosion.
- **Self-Closing Vandal-Resistant Pushbuttons** do not require grasping or twisting.
- **Attractive Curved Profile** offers safe, unobtrusive profile.
- **Vandal-Resistant Bubbler** is chrome plated.
- **Contoured Basin** provides splash-resistant surface.
- **One-Piece Vandal-Resistant Drain** is less susceptible to tampering.
- **Bottom Cover Plate** prevents vandalism.
- **Integral P-Trap** included with model EHWM214C.

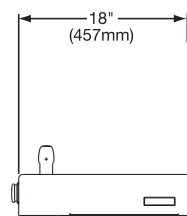
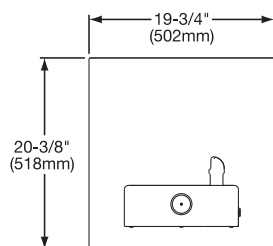


EHWM14C

SlimLine®

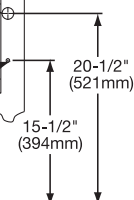


EHWM214C



RECOMMENDED LOCATION FOR WASTE OUTLET
1-1/4" O.D. DRAIN.

RECOMMENDED WATER SUPPLY LOCATION
3/8" O.D. UNPLATED COPPER TUBE CONNECT STUBBED 1-1/2" (38mm) FROM WALL SHUT OFF BY OTHERS.



FINISHED FLOOR

Options / Upgrades



Model #	Wall Plate In Inches H x L x D	Fountain In Inches H x L x D	Ship. Wt. Lbs.	Freeze Protection †	Access Panel
EHWM14C	20-3/8 x 19-3/4 x 5/8	4-3/8 x 12-1/8 x 18-3/4	30	1	1
EHWM214C*	20-3/8 x 19-3/4 x 5/8	6-1/2 x 12-1/8 x 18-3/4	35	1	

† Freeze Protection box must be mounted on interior non-freezing wall.

* Order model EHW214C when installing with our in-wall carrier mounting system (ordered separately).

1 Available option

Note: If blank, option not available

TWO LEVEL SOFT SIDES® HEAVY-DUTY CHILD OR ADULT ADA MODELS



EHWM17C

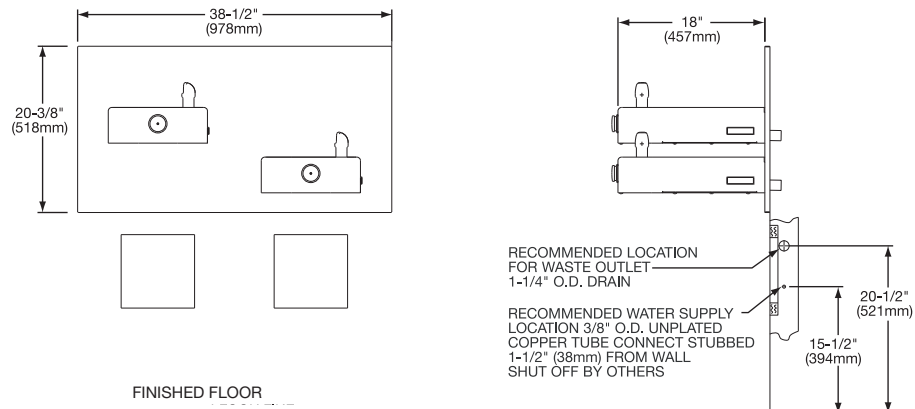
SlimLine®



EHWM217C

Standard Features

- **No Lead Design** water system is free of lead-containing brass parts.
- **Barrier-Free ADA Design** meets adult or child ADA standards (model EHWM17C) when properly installed.
- **Bi-Level Design** offers the flexibility of a second unit at conventional height.
- **14-Gauge Heavy-Duty Stainless Steel** with durable satin finish that resists stains and corrosion.
- **Self-Closing Vandal-Resistant Pushbuttons** do not require grasping or twisting.
- **Attractive Curved Profile** offers safe, unobtrusive profile.
- **Vandal-Resistant Bubbler** is chrome plated.
- **Contoured Basin** provides splash-resistant surface.
- **One-Piece Vandal-Resistant Drain** is less susceptible to tampering.
- **Bottom Cover Plate** prevents vandalism.
- **Integral P-Trap** included with model EHWM217C.



Options / Upgrades

Model #	Wall Plate In Inches H x L x D	Fountain In Inches H x L x D	Ship. Wt. Lbs.	Freeze Protection †	Access Panel	Cane Apron
EHWM17C	20-3/8 x 38-1/2 x 5/8	4-3/8 x 12-1/8 x 18-3/4 (left) 4-3/8 x 12-1/8 x 18-3/4 (right)	74	1	1*	1
EHWM217C**	20-3/8 x 38-1/2 x 5/8	6-1/2 x 12-1/8 x 18-3/4 (left) 6-1/2 x 12-1/8 x 18-3/4 (right)	80	1		1

† Freeze Protection box must be mounted on interior non-freezing wall.

* Requires two access panels.

** Order model EHW217C when installing with our in-wall carrier mounting system (ordered separately).

1 Available option
Note: If blank, option not available

SOFT SIDES® CHILD OR ADULT ADA MODELS

Standard Features

- **No Lead Design** water system is free of lead-containing brass parts.
- **Barrier-Free ADA Design** meets adult or child ADA (model ECDFPW314C) standards when properly installed.
- **Stream Height Regulator** provides constant stream from 20 to 105 psi.
- **Vandal-Resistant Front Pushbutton** provides easy operation.
- **Attractive Curved Profile** offers safe, unobstructive access.
- **Flexi-Guard Anti-Microbial Safety Bubbler** complements styling of cooler and is keyed into position to prevent rotation.
- **Contoured Basin** provides a splash-resistant surface.
- **Durable Satin Finish Stainless Steel** standard.
- **Bottom Cover Plate** prevents vandalism.
- **Integral P-Trap** included with model EDFP214C.

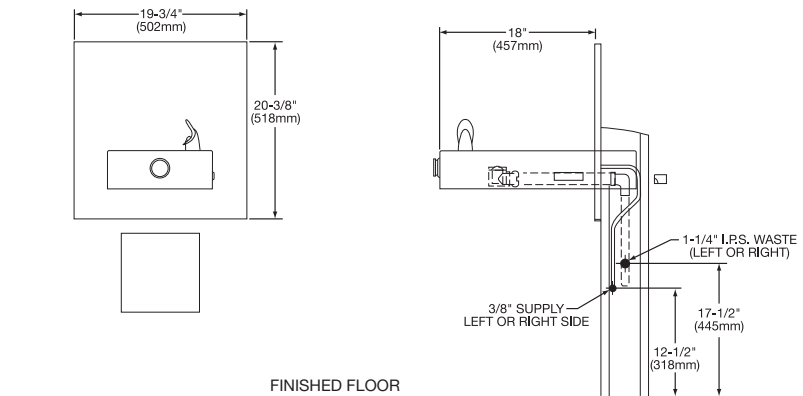


ECDFPW314C

SlimLine®



EDFP214C



Options / Upgrades

Model #	Wall Plate Inches H x L x D	Fountain Inches H x L x D	Ship. Wt. Lbs.	Glass Filler	Freeze Protection †	Bubbler Vandal Resistant	Access Panel	Wall Plate
ECDFPW314C	20-3/8 x 19-3/4 x 5/8	4-3/8 x 12-1/8 x 18-3/4	20	1	1	1	1	
EDFP214C	–	6-1/2 x 12-1/8 x 18-3/4	29	1	1	1		1

† Freeze Protection box must be mounted on interior non-freezing wall.

1 Available option
Note: If blank, option not available

TWO LEVELS SOFT SIDES® ADULT ADA MODELS

Standard Features

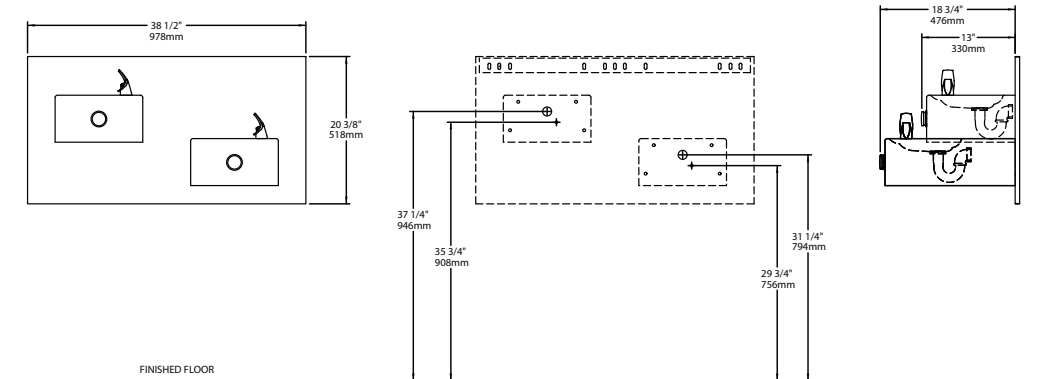
- **No Lead Design** water system is free of lead-containing brass parts.
- **Barrier-Free ADA Design** meets adult ADA standards when properly installed.
- **Bi-Level Design** offers the flexibility of a second unit at conventional height.
- **Stream Height Regulator** provides constant stream from 20 to 105 psi.
- **Vandal-Resistant Front Pushbutton** provides easy operation.
- **Attractive Curved Profile** offers safe, unobstructive access.
- **Flexi-Guard Anti-Microbial Safety Bubbler** complements styling of cooler and is keyed into position to prevent rotation.
- **Contoured Basin** provides a splash-resistant surface.
- **Durable Satin Finish Stainless Steel** standard
- **Bottom Cover Plate** prevents vandalism.
- **Integral P-Trap** included.



EDFP217C



EDFP217RAC



Options / Upgrades

Model #	Wall Plate In Inches H x L x D	Fountain In Inches H x L x D	Ship. Wt. Lbs.	Glass Filler	Freeze Protection †	Bubbler Vandal Resistant	Cane Apron
EDFP217C	20-3/8 x 38-1/2 x 5/8	6-1/2 x 12-1/8 x 13 (left) 6-1/2 x 12-1/8 x 18-3/4 (right)	56	1	1	1	1
EDFP217RAC (Reverse Height)	20-3/8 x 38-1/2 x 5/8	6-1/2 x 12-1/8 x 18-3/4 (left) 6-1/2 x 12-1/8 x 13 (right)	56	1	1	1	1

† Freeze Protection box must be mounted on interior non-freezing wall.

1 Available option
Note: If blank, option not available

WALL MOUNT ADULT ADA SWIRLFLO® MODELS

Standard Features

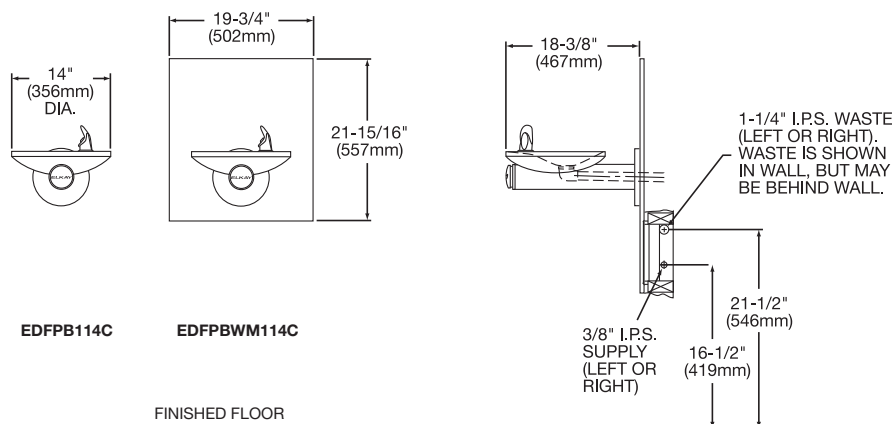
- n **No Lead Design** water system is free of lead-containing brass parts.
- n **Barrier-Free ADA Design** meets adult ADA standards when properly installed.
- n **Contoured Basin** designed to provide a splash-resistant surface.
- n **Vandal-Resistant Front Pushbutton** provides easy operation.
- n **Flexi-Guard Anti-Microbial Safety Bubbler** complements styling of cooler and is keyed into position to prevent rotation.
- n **Durable Satin Finish Stainless Steel** standard.



EDFPBWM114C



EDFPB114C



EDFPB114C

EDFPBWM114C

FINISHED FLOOR

Options / Upgrades

Model #	Wall Plate In Inches H x L x D	Fountain In Inches L x D	Ship. Wt. Lbs.	Freeze Protection †	Bubbler Vandal Resistant	Access Panel
EDFPB114C	–	14 x 18	18	1	1	1
EDFPBWM114C*	21-15/16 x 19-3/4 x 5/8	14 x 18	25	1	1	1

† Freeze Protection box must be mounted on interior non-freezing wall.

* Order model EDFPBWM114C when installing with our in-wall carrier mounting system (ordered separately).




EDFPBM117C

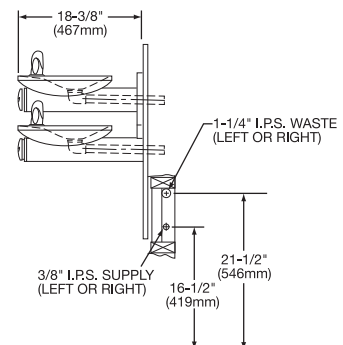
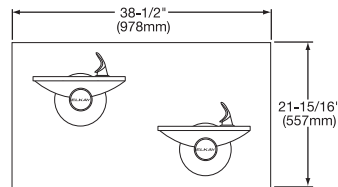
TWO LEVEL WALL MOUNT ADULT ADA SWIRLFLO® MODELS

Standard Features

- **No Lead Design** water system is free of lead-containing brass parts.
- **Barrier-Free ADA Design** meets adult ADA standards when properly installed.
- **Bi-Level Design** offers the flexibility of a second unit at conventional height.
- **Contoured Basin** designed to provide a splash-resistant surface
- **Vandal-Resistant Front Pushbutton** provides easy operation.
- **Flexi-Guard Anti-Microbial Safety Bubbler** complements styling of cooler and is keyed into position to prevent rotation.
- **Durable Satin Finish Stainless Steel** standard.




EDFPBM117RAC



FINISHED FLOOR

Options / Upgrades

Model #	Wall Plate Inches H x L x D	Fountain Inches L x D	Ship. Wt. Lbs.	Freeze Protection †	Bubbler Vandal Resistant	Access Panel	Cane Apron
EDFPBM117C*	21-15/16 x 38-1/2 x 5/8	14 x 18 (left) 18 x 14 (right)	71	1	1	1	1
EDFPBM117RAC** (Reverse Height)	21-15/16 x 38-1/2 x 5/8	18 x 14 (left) 14 x 18 (right)	71	1	1	1	1

† Freeze Protection box must be mounted on interior non-freezing wall.

* Order model EDFPB117C when installing with our in-wall carrier mounting system (ordered separately).

** Order model EDFPB117RAC when installing with our in-wall carrier mounting system (ordered separately).

**TWO-LEVEL PREMIUM COMPOSITE SOFT SIDES®
VANDAL-RESISTANT MODELS**

Series Standard Features

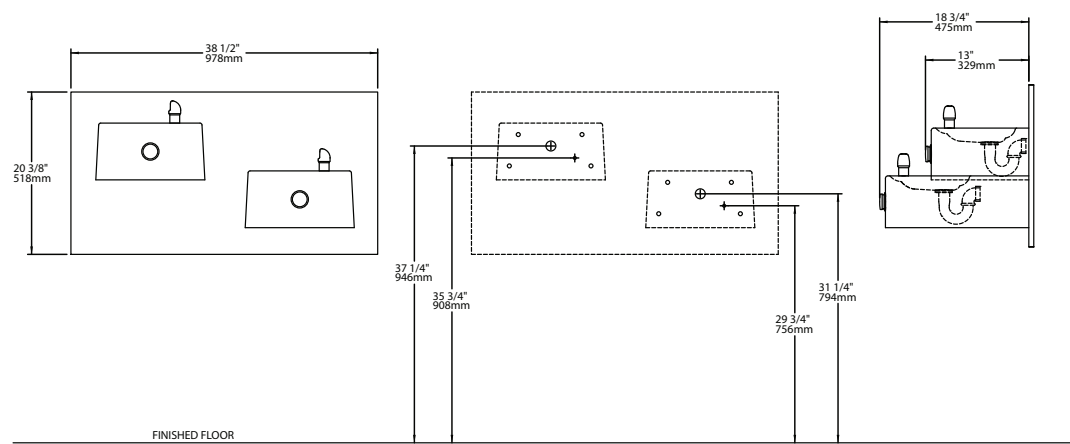
- **Composite Solid Surface Material** is durable and nonporous.
- **No Lead Design** water system is free of lead containing brass parts.
- **Barrier-Free ADA Design** meets adult ADA standards when properly installed.
- **Contoured Basin** minimizes splashing.
- **Vandal-Resistant Pushbutton** with pressure regulator.
- **Vandal-resistant Bottom Cover Plate**, drain and trap assembly included.
- **White Granite Finish** blends with any décor.
- **Ideal for educational facilities.**
- **Model EDFPVR217RC** includes heavy-duty **Vandal-resistant Bubbler**.
- **Model EDFP214RC** includes **Flexi-Guard Antimicrobial Safety Bubbler**.



EDFPVR217RC



EDFP214RC



Options / Upgrades

Model #	Wall Plate In Inches H x L x D	Fountain In Inches H x L x D	Ship. Wt. Lbs.	Freeze Protection†	Bubbler Vandal Resistant
EDFPVR217RC	20-3/8 x 38-1/2 x 18-3/16	7-1/8 x 13-3/4 x 18-1/4	53	1	
EDFP214RC		7-1/8 x 13-3/4 x 18-1/4	37	1	1

† Freeze Protection box must be mounted on interior non-freezing wall.

1 Available option
Note: If blank, option not available



EDFP220RC



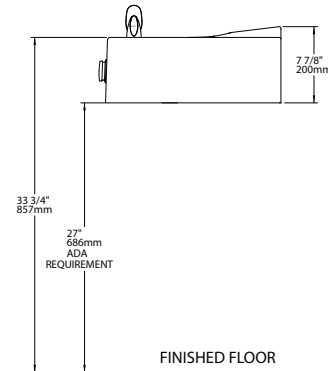
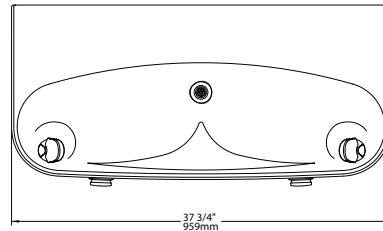
EDFPVR320RC



PREMIUM COMPOSITE SOFT SIDES® MODELS

Standard Features

- **Specifically Designed for Multiple Individuals** to drink simultaneously.
- **Composite Solid Surface Material** is durable and nonporous.
- **No Lead Design** water system is free of lead containing brass parts.
- **Barrier-Free ADA Design** meets adult ADA standards when properly installed.
- **Contoured Basin** minimizes splashing.
- **Vandal-Resistant Pushbuttons** with pressure regulator.
- **Vandal-resistant Bottom Cover Plate**, drain and trap assembly included.
- **White Granite Finish** blends with any décor.
- **Ideal for educational facilities.**
- **Model ED FP220RC** standard with **Flexi-Guard Antimicrobial Safety Bubbler**.
- **Model ED FPVR320RC** includes heavy-duty **Vandal-resistant Bubblers**.



Options / Upgrades

Model #	Fountain In Inches H x L x D	Ship. Wt. Lbs.	Freeze Protection†	Bubbler Vandal Resistant
EDFP220RC	7-7/8 x 37-3/4 x 18-1/16	95	1	1
EDFPVR320RC	8 x 58-1/2 x 18-1/16	126	1	

† Freeze Protection box must be mounted on interior non-freezing wall.

1 Available option
Note: If blank, option not available

FULLY RECESSED MODELS

Standard Features

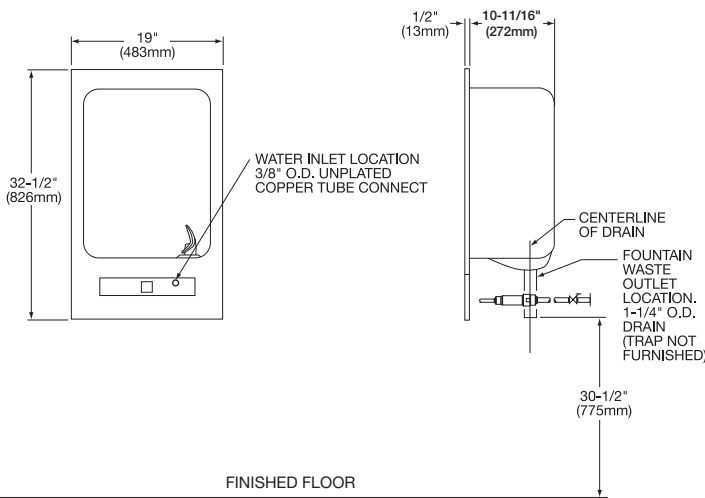
- **No Lead Design** water system is free of lead-containing brass parts.
- **Full Recessed Design** allows for obstacle-free hall space.
- **Barrier-Free ADA Design** meets ADA standards for parallel approach when properly installed.
- **Stream-Splitter Basin** minimizes splashing.
- **Deeply Recessed Backsplash** provides ample headroom.
- **Front Pushbar** is self closing and features raised letters for the blind.
- **Flexi-Guard Anti-Microbial Safety Bubbler** complements styling of cooler and is keyed into position to prevent rotation.
- **Available with Cuspidor** (model EDFBC212C).
- **Stainless Steel With Polished Satin Finish** standard.



EDFB12C



EDFBC212C



Options / Upgrades



Model #	Overall Size In Inches H x L x D	Ship. Wt. Lbs.	Glass ** Filler	Freeze Protection †	Bubbler Vandal Resistant
EDFB12C (Fountain Only)	32-1/2 x 19 x 10-11/16	29	1	1	1
EDFBC212C (Fountain with Cuspidor)	32-1/2 x 19 x 10-11/16 (fountain) 32-1/2 x 19 x 10-11/16 (cuspidor)	56	1		1
EDFBC12PBC (Cuspidor Only)	32-1/2 x 19 x 10-11/16	30			

** Factory installed only

† Freeze Protection box must be mounted on interior non-freezing wall.

1 Available option

Note: If blank, option not available

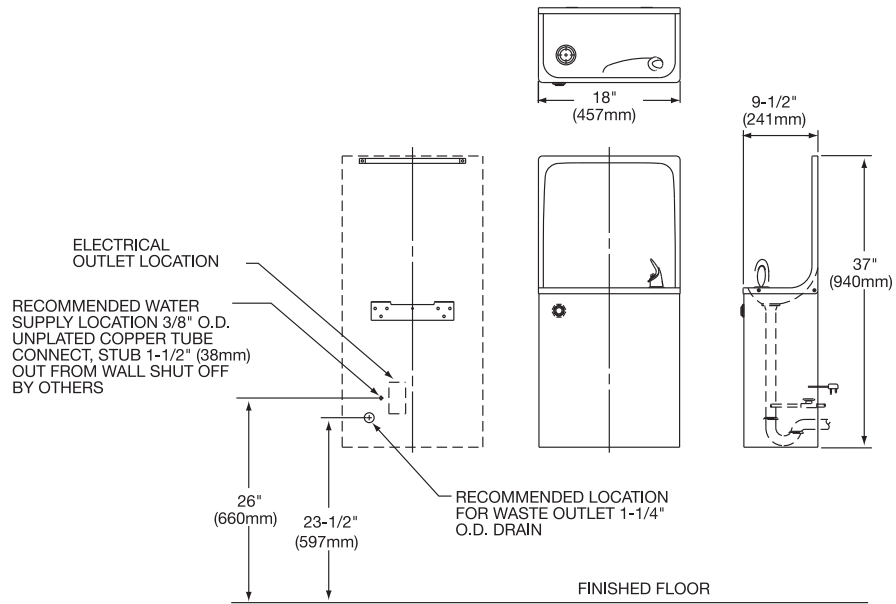


ESWA8

SEMI-RECESSED MODELS

Standard Features

- **No Lead Design** water system is free of lead-containing brass parts.
- **One-Piece Basin With High Integral Backsplash.**
- **Rated For Indoor Service.**
- **Space Saving Advantage** of semi-recessed design, with on-the-wall installation ease.
- **Flexi-Guard Anti-Microbial Safety Bubbler** complements styling of cooler and is keyed into position to prevent rotation.
- **Light Gray Granite Vinyl Clad Cabinet** standard.
- **Impact Resistant Vinyl Coating** offers superior durability and performance.



Options / Upgrades

Model #	Standard Features	G.P.H.* Capacity	Full Load Amps	Rated Watts	Ship. Wt. Lbs.	220 Volts	Natural Almond	Sandalwood	Stainless Steel Cabinet
ESWA8		7.8	4.0	370	66	1	1	1	1
ESWDA	Cabinet only. Refrigeration not included.				45		1	1	1

*Based on 80° F inlet water temperature, 90° F room temperature, 50° F drinking water temperature.

1 Available option
Note: If blank, option not available

DELUXE WALL MOUNT MODELS

Standard Features

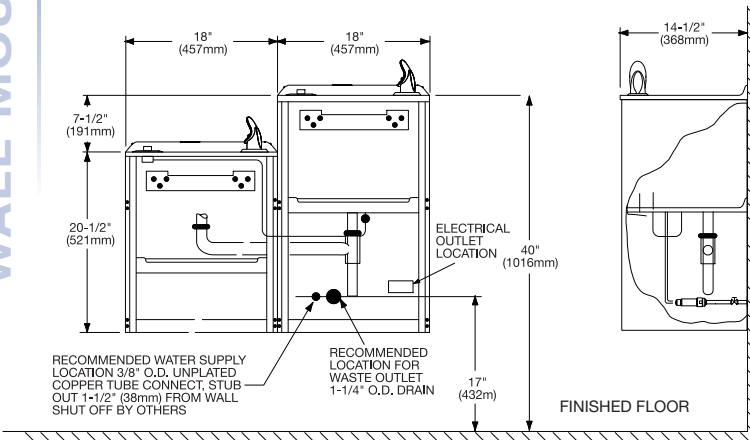
- **Traditional, classic styling** looks good in any setting.
- **Two-Level Design** (EWTLA Models) provides comfortable service for adults and children.
- **No Lead Design** water system is free of lead containing brass parts.
- **Rated For Indoor Service.**
- **Cascade Basin** minimizes splashing.
- **Flexi-Guard Anti-Microbial Safety Bubbler** complements styling of cooler and is keyed into position to prevent rotation.
- **Removable Front Panels** for easy access.
- **Light Gray Granite Vinyl Clad Cabinet** standard.
- **Impact Resistant Vinyl Coating** offers superior durability and performance.



EWA8



EWTLA14



Options / Upgrades

Model #	Standard Features	G.P.H.* Capacity	Full Load Amps	Rated Watts	Ship. Wt. Lbs.	Glass Filler	220 Volts	Bubbler Vandal Resistant	Natural Almond	Sandalwood	Stainless Steel Cabinet
EWA4		4.0	2.5	230	66	1	1	1	1	1	1
EWA8		7.6	4.0	370	69	1	1	1	1	1	1
EWA14		13.5	7.2	665	72	1	1	1	1	1	1
EWA16†		15.5	5.5	510	76	1	1	1	1	1	1
EWA20†		19.5	7.2	665	74	1	1	1	1	1	1
EWDA		Cabinet only. Refrigeration not included.			44	1		1	1	1	1
LWAE8		7.6	4.0	370	74	1	1	1	1	1	1
EWTLA8		7.6	4.0	370	108	1	1	1	1	1	1
EWTLA14		13.5	7.2	665	112	1	1	1	1	1	1
EWTLA16†		15.5	5.5	510	112	1	1	1	1	1	1

*Based on 80° F inlet water temperature, 90° F room temperature, 50° F drinking water temperature.
 † Meets no-lead definition of NSF/ANSI 61 only.

1 Available option
 Note: If blank, option not available



EWCA8



HEW3

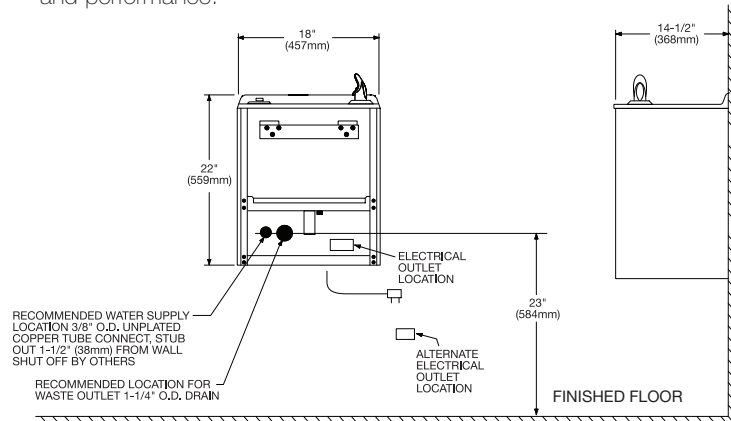
COMPACT AND SLANT FRONT WALL-MOUNT MODELS

EWCA Models Standard Features

- **Compact Design** allows for flexible installation height and easy floor maintenance.
- **No Lead Design** water system is free of lead containing brass parts.
- **Rated For Indoor Service.**
- **Cascade Basin** minimizes splashing.
- **Flexi-Guard Anti-Microbial Safety Bubbler** complements styling of cooler and is keyed into position to prevent rotation.
- **Removable Front Panel** for easy access.
- **Light Gray Granite Vinyl Clad Cabinet** standard.
- **Impact Resistant Vinyl Coating** offers superior durability and performance.

HEW3 Standard Features

- **Abbreviated Design** addresses both space and budget concerns.
- **No Lead Design** water system is free of lead containing brass parts.
- **Rated For Indoor Service.**
- **Raised-Rib Basin** with snap-out drain strainer.
- **Flexi-Guard Anti-Microbial Safety Bubbler** complements styling of cooler and is keyed into position to prevent rotation.
- **Removable One-Piece** wrap-around cabinet.
- **Light Gray Granite Vinyl Clad Cabinet** standard.
- **Impact Resistant Vinyl Coating** offers superior durability and performance.



Options / Upgrades

Model #	Standard Features	G.P.H.* Capacity	Full Load Amps	Rated Watts	Ship.Wt. Lbs.	Glass Filler	220 Volts	Natural Almond	Sandalwood	Stainless Steel Cabinet
EWCA4		4.0	2.5	230	59	1	1	1	1	1
EWCA8		7.6	4.0	370	64	1	1	1	1	1
EWCA14		13.5	7.2	665	68	1	1	1	1	1
EWCD4		Cabinet only. Refrigeration not included.			36	1		1	1	1
LWCE8		7.6	4.0	370	68	1	1	1	1	1
HEW3		3.0	2.0	185	42		1		1	1
HEWD		Cabinet only. Refrigeration not included.			26				1	1

*Based on 80° F inlet water temperature, 90° F room temperature, 50° F drinking water temperature.

1 Available option
Note: If blank, option not available

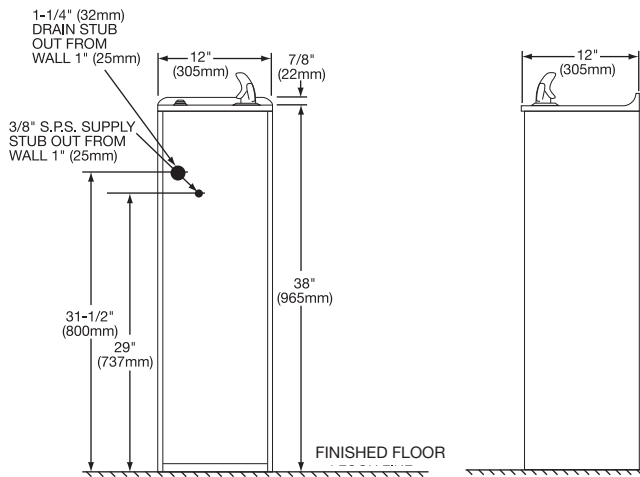
STANDARD SPACE-ETTE® FLOOR MODELS

Standard Features






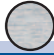

- **Trim, space-saving units** perfect for new and replacement installations.
- **No Lead Design** water system is free of lead containing brass parts.
- **Rated For Indoor Service.**
- **Space-ette Basin** has integral vandal-resistant strainer.
- **Flexi-Guard Anti-Microbial Safety Bubbler** complements styling of cooler and is keyed into position to prevent rotation.
- **Removable Front Panel** for easy access.
- **Light Gray Granite Vinyl Clad Cabinet** standard.
- **Impact Resistant Vinyl Coating** offers superior durability and performance.



FD7003



Options / Upgrades

Model #	Standard Features	G.P.H.* Capacity	Full Load Amps	Rated Watts	Ship. Wt. Lbs.	 Glass Filler	 220 Volts	 Bubbler Vandal Resistant	 Natural Almond	 Sandalwood	 Stainless Steel Cabinet
FD7003		3.0	2.5	230	55	1	1	1	1	1	1
FD7005		5.0	2.5	230	63	1	1	1	1	1	1
FD70010		9.8	5.8	535	64	1	1	1	1	1	1
FD700D		Cabinet only. Refrigeration not included.			30	1		1	1	1	1
LFDE10		9.8	5.8	535	68	1	1	1	1	1	1

*Based on 80° F inlet water temperature, 90° F room temperature, 50° F drinking water temperature.

1 Available option
Note: If blank, option not available

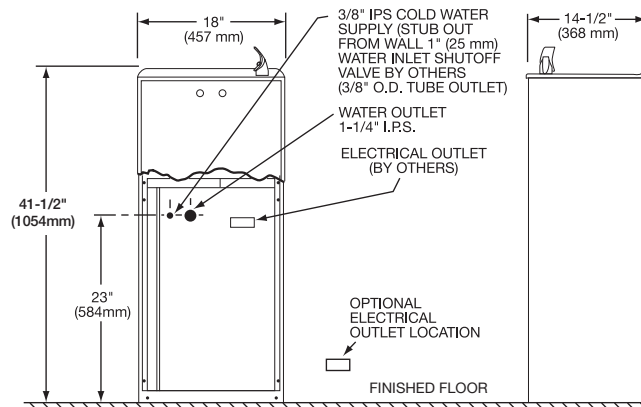


EFA8

DELUXE FLOOR MODELS

Standard Features

- **Traditional, classic design** ideal for new and replacement installations.
- **No Lead Design** water system is free of lead containing brass parts.
- **Rated For Indoor Service.**
- **Cascade Basin** minimizes splashing.
- **Flexi-Guard Anti-Microbial Safety Bubbler** complements styling of cooler and is keyed into position to prevent rotation.
- **Removable Front Panel** for easy access.
- **Light Gray Granite Vinyl Clad Cabinet** standard.
- **Impact Resistant Vinyl Coating** offers superior durability and performance.
- **Model EFHA8** features both **Hot and Cold Service.**
- **Model EFY8** is a Water-Cooled, Explosion Proof unit for potentially combustible atmospheres. (Vandal resistant bubbler and stainless steel cabinet standard).
- **Model EFWC16 is Corrosion-Resistant** with Type 316 stainless steel cabinet, protective coating on internal components and pushbutton bubbler.



Options / Upgrades



Model #	Standard Features	G.P.H.* Capacity	Full Load Amps	Rated Watts	Ship. Wt. Lbs.	Glass Filler	220 Volts	Bubbler Vandal Resistant	Foot Pedal Kit	Natural Almond	Sandalwood	Stainless Steel Cabinet
EFA4		4.0	2.5	230	78	1	1	1	1	1	1	1
EFA8		7.6	4.0	370	81	1	1	1	1	1	1	1
EFA14		13.5	7.2	665	84	1	1	1	1	1	1	1
EFA16†		15.5	5.5	510	87	1	1	1	1	1	1	1
EFA20†		19.5	7.2	665	85	1	1	1	1	1	1	1
EFDA		Cabinet only. Refrigeration not included.			55	1		1	1	1	1	1
EFHA8†		7.6	10.0	920	90	1	1	1	1	1	1	1
EFOA8		8.0	4.0	370	81		1	1		1	1	1
EFW16 **†		16.0	6.5	600	85	1	1	1	1	1	1	1
EFWC16 **†	Corrosion Resistant	16.0	6.5	600	85			1				1
EFY8 **		8.0	4.0	370	81			1				1
LFAE8		7.6	4.0	370	74	1	1	1	1	1	1	1

* Based on 80° F inlet water temperature, 90° F room temperature, 50° F drinking water temperature.
 ** Water cooled models
 † Meets no-lead definition of NSF/ANSI 61 only.

1 Available option
 Note: If blank, option not available

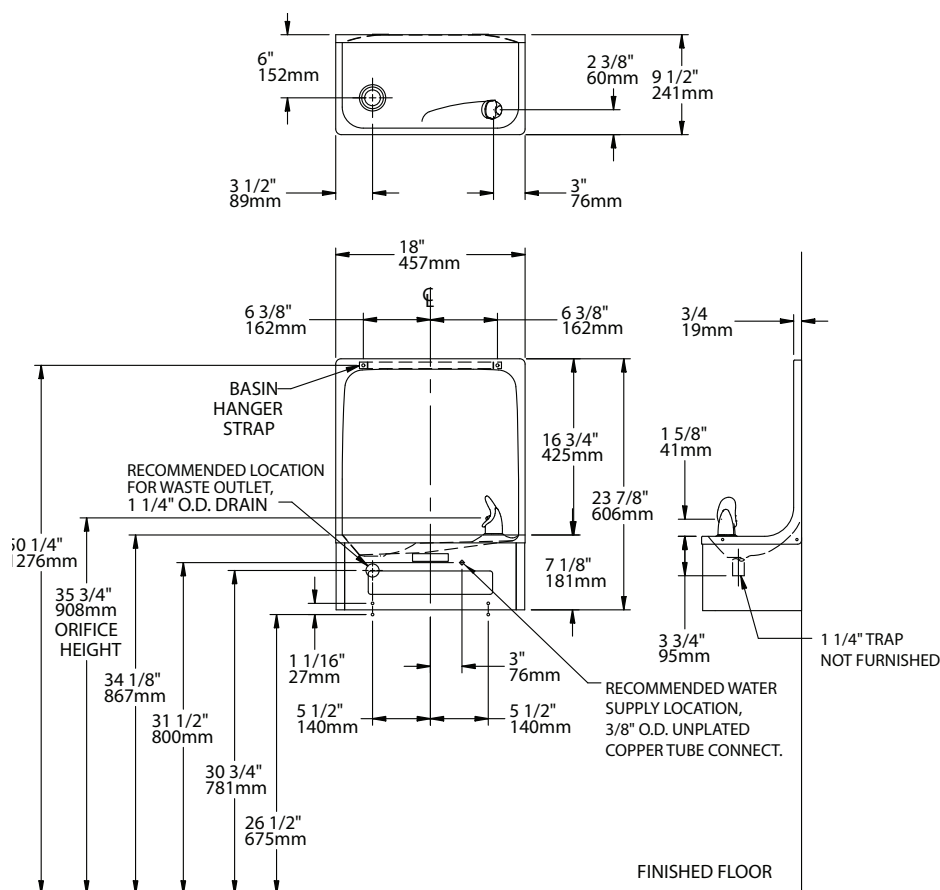
SIMULATED SEMI-RECESSED MODEL

Standard Features

- **Space-Saving Simulated Semi-Recessed** design.
- **No Lead Design** water system is free of lead-containing brass parts.
- **Stream-Splitter Basin** minimizes splashing.
- **Front Pushbar** is self closing and features raised letters for the blind.
- **Flexi-Guard Anti-Microbial Safety Bubbler** complements styling of cooler and is keyed into position to prevent rotation.
- **Stainless Steel With Polished Satin Finish** standard.



EDFP19C



Options / Upgrades



Model #	Overall Size In Inches H x L x D	Ship. Wt. Lbs.	Bubbler Vandal Resistant
EDFP19C	23-7/8 x 18 x 9-1/2	21	1

1 Available option

COUNTERTOP AND BRACKET MODELS

Countertop Models Standard Features

- n **No Lead Design** water system is free of lead containing brass parts.
- n **Contoured Basin** minimizes splashing.
- n **Push Button, Self-Closing Bubbler** with pressure regulator.
- n **Durable Stainless Steel** polished to an attractive satin finish.
- n **Model DRKR14C** features contemporary **Swirlflo®** design.
- n **Model DRKR14RC** (not pictured) features **remote pushbutton**, and **Flexi-Guard Anti-Microbial Safety Bubbler**.



DRKR10C



DRKR14C

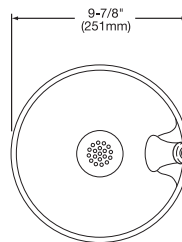
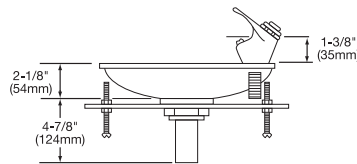
Swirlflo®



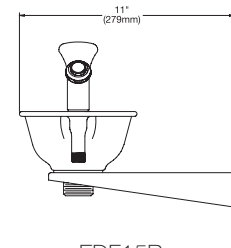
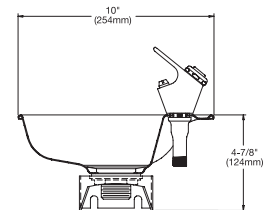
EDF15R

EDF15R Bracket Fountain Standard Features

- n **No Lead Design** water system is free of lead containing brass parts.
- n **Push Button, Self-Closing Bubbler** with pressure regulator.
- n **Durable Stainless Steel** polished to an attractive satin finish.
- n **Chrome Plated Exposed Fittings** for enhanced appearance and added durability.
- n **Removable Strainer** is chrome plated.



DRKR10C



EDF15R

Options / Upgrades



Model #	Overall Size in Inches	Ship. Wt. Lbs.	Bubbler Vandal Resistant
DRKR10C	9-7/8 Diameter 2 Depth	5	
DRKR14C	14-3/8 Diameter 1-7/8 Depth	7	
DRKR14RC	14-3/8 Diameter 1-7/8 Depth	7	1
EDF15R	8-3/8 H x 10 L x 11 D	5	

1 Available option

Note: If blank, option not available

MULTI-STATION MODELS

Standard Features

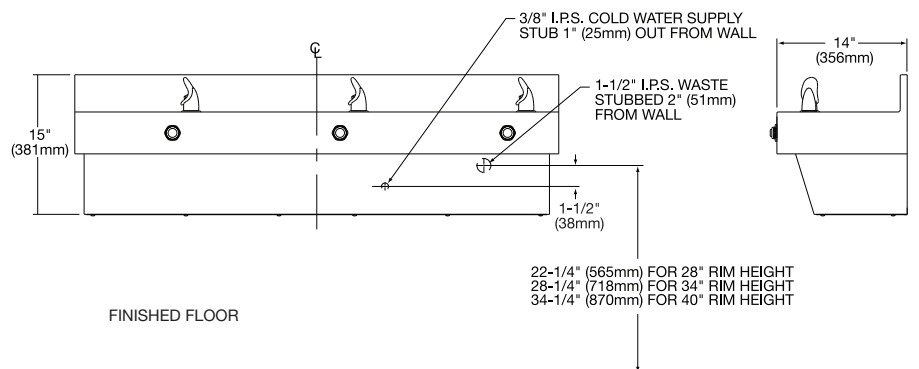
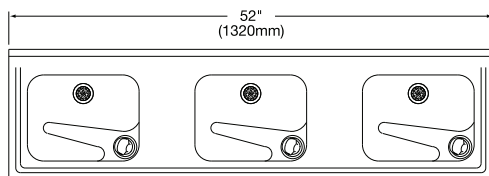
- **Provides Service To Multiple Users** at the same time.
- **No Lead Design** water system is free of lead containing brass parts.
- **Stream-Splitter Basin** minimizes splashing.
- **Flexi-Guard Anti-Microbial Safety Bubbler** complements styling of cooler and is keyed into position to prevent rotation.
- **Front Pushbuttons** provide easy operation.
- **Perforated Domed Grid Strainers.**
- **Vandal-Resistant Bottom Cover Plate** included.
- **Durable Stainless Steel** polished to an attractive satin finish.
- **Sanitary, Easy-to-Clean Design.**
- **Drain and Trap Assembly** included.



EDF210C



EDF310C



Options / Upgrades



Model # H x L x D	Overall Size in Inches	Ship. Wt. Lbs.	Bubbler Vandal Resistant
EDF210C	15 x 31 x 14	35	1
EDF310C	15 x 52 x 14	50	1



EDFP210C



EDFP210RC



EDF214WC

SOFT SIDES® MODELS

Model EDFP210C Standard Features

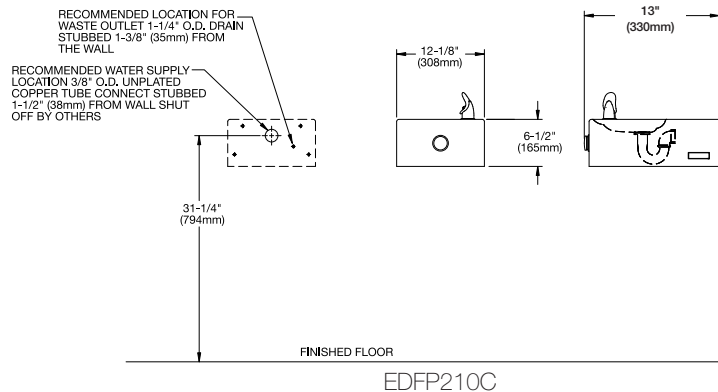
- n **No Lead Design** water system is free of lead containing brass parts
- n **Contoured Basin** minimizes splashing.
- n **Vandal-Resistant Front Pushbuttons** provide easy operation.
- n **Flexi-Guard Anti-Microbial Safety Bubbler** complements styling of cooler and is keyed into position to prevent rotation.
- n **Vandal-Resistant Bottom Cover Plate.**
- n **Durable Stainless Steel** polished to an attractive satin finish.
- n **Drain and Trap Assembly** included.

Model EDFP210RC Standard Features

- n **Composite Solid Surface Material** is durable and nonporous.
- n **No Lead Design** water system is free of lead containing brass parts.
- n **Contoured Basin** minimizes splashing.
- n **Vandal-Resistant Front Pushbuttons** provide easy operation.
- n **Flexi-Guard Anti-Microbial Safety Bubbler** complements styling of cooler and is keyed into position to prevent rotation.
- n **Vandal-Resistant Bottom Cover Plate.**
- n **White Granite Color** blends in with any décor.
- n **Drain and Trap Assembly** included.

Model EDF214WC Standard Features

- n **Composite Gel Coated Material** is durable and nonporous.
- n **No Lead Design** water system is free of lead containing brass parts.
- n **Contoured Basin** minimizes splashing.
- n **Push Button, Self-Closing Bubbler** with pressure regulator.
- n **Vandal-Resistant Bottom Cover Plate.**
- n **Shadow White Color** blends in with any décor.
- n **Drain and Trap Assembly** included.



Options / Upgrades

Model #	Overall Size in Inches H x L x D	Ship. Wt. Lbs.	Freeze Protection †	Bubbler Vandal Resistant	Wall Plate
EDFP210C	6-1/2 x 12-1/8 x 13	19	1	1	1
EDFP210RC	7-1/8 x 13-3/4 x 13-7/8	34		1	
EDF214WC	7-1/8 x 13-3/4 x 18-3/16	50			

† Freeze Protection box must be mounted on interior non-freezing wall.

1 Available option
Note: If blank, option not available

TUBULAR STEEL MULTI-STATION DRINKING FOUNTAINS

Standard Features

- Provides service to **multiple users at one time**
- Attractive **weather-resistant textured finish**
- **Standard finish is evergreen**, 15 optional colors available
- **Unique E-Coat immersion process** coats the inside and outside of the fountain for ultimate corrosion protection
- **Vandal-resistant pushbuttons** with self-closing valve provide easy operation
- **Vandal-resistant bubbler** - chrome plated, one-piece design
- Constructed of cold-rolled steel
- **Access panel** features vandal-resistant screws
- Barrier-free ADA design
- Optional locking and non-locking hose bib accessories available (see page 42)
- Pet fountain features slow drainage for easy drinking (Model LK4420DB)

New!



LK4430



New!



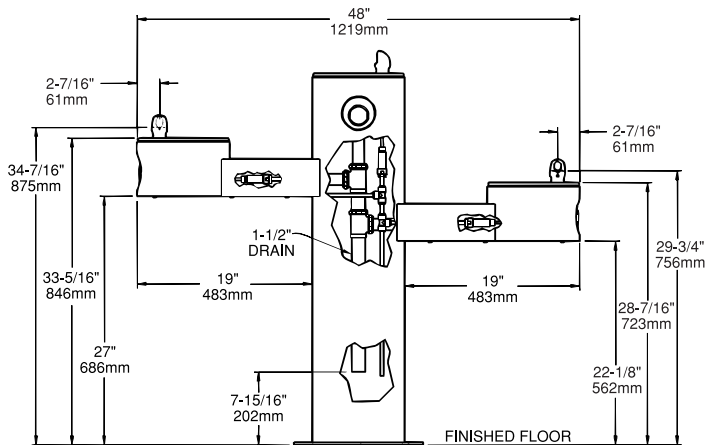
LK4420DB



New!



LK4420



Options / Upgrades

Model #	Overall Size In Inches H x L x D	Ship. Wt. Lbs.	Freeze Resistant	Sanitary Freeze Resistant
LK4420	42-3/16 x 29 x 14	156	1	1
LK4420DB	42-3/16 x 29 x 22	166		
LK4430	42-3/16 x 48 x 14	230		

1 Available option
Note: If blank, option not available

New!



LK4410



TUBULAR STEEL SINGLE STATION DRINKING FOUNTAINS

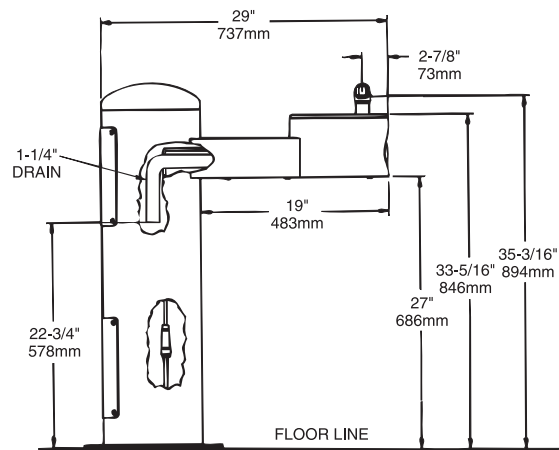
Standard Features

- Provides service to **multiple users at one time**
- Attractive **weather-resistant textured finish**
- **Standard finish is evergreen**, 15 optional colors available
- **Unique E-Coat immersion process** coats the inside and outside of the fountain for ultimate corrosion protection
- **Vandal-resistant pushbuttons** with self-closing valve provide easy operation
- **Vandal-resistant bubbler** - chrome plated, one-piece design
- Constructed of cold-rolled steel
- **Access panel** features vandal-resistant screws
- Barrier-free ADA design
- Optional locking and non-locking hose bib accessories available (see page 42)

New!



LK4405



Options / Upgrades

Model #	Overall Size In Inches H x L x D	Ship. Wt. Lbs.	Freeze Resistant	Sanitary Freeze Resistant
LK4405	9-7/8 x 10 x 19-1/8	41	1	
LK4410	35-3/16 x 29 x 14	153	1	1

1 Available option
Note: If blank, option not available

STONE AGGREGATE DRINKING FOUNTAINS

Standard Features

- **Attractive stone aggregate finish** is weather-resistant
- Stainless steel basin
- **Vandal-resistant bubbler** - chrome plated, one-piece design
- Rust-resistant stainless steel access door with vandal-resistant screws
- Barrier-free ADA design
- Chrome-plated exposed fittings

New!



LK4590



New!



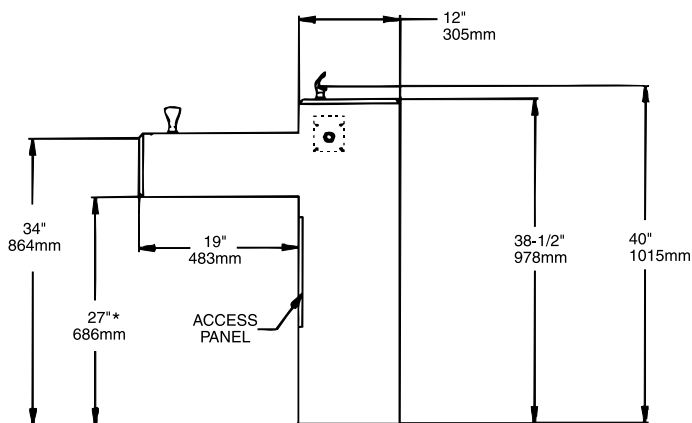
LK4593



New!



LK4595



Options / Upgrades

Model #	Overall Size In Inches H x L x D	Ship. Wt. Lbs.	Freeze Resistant	Sanitary Freeze Resistant
LK4590	36 x 12-3/4 x 29-5/8	220	1	1
LK4593	9 x 12-7/8 x 19	44	1	
LK4595	36 x 12 x 31	175	1	1

¹ Available option
Note: If blank, option not available

New!



STANDARD OUTDOOR DRINKING FOUNTAINS

LK4591

Standard Features

- **Attractive stone aggregate finish** is weather-resistant
- Stainless steel basin
- Single stream pushbutton bubbler
- Rust-resistant stainless steel access door with vandal-resistant screws
- Chrome-plated exposed fittings

LK4400 AND LK4400DB

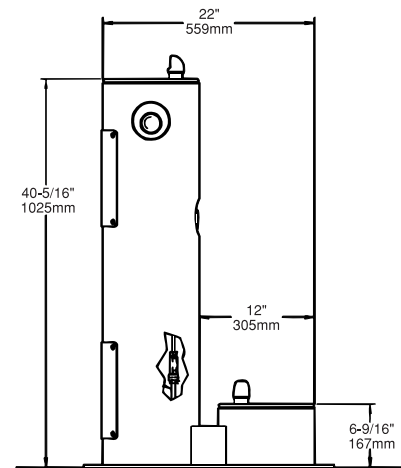
Standard Features

- Attractive **weather-resistant textured finish**
- **Standard finish is evergreen**, 15 optional colors available
- **Unique E-Coat immersion process** coats the inside and outside of the fountain for ultimate corrosion protection
- **Vandal-resistant pushbuttons** with self-closing valve provide easy operation
- **Vandal-resistant bubbler** - chrome plated, one-piece design
- Constructed of cold-rolled steel
- **Access panel** features vandal-resistant screws
- Optional locking and non-locking hose bib accessories available (see page 42)
- Pet fountain features slow drainage for easy drinking (Model LK4400DB)

New!



New!



Options / Upgrades

Model #	Overall Size In Inches H x L x D	Ship. Wt. Lbs.	Freeze Resistant	Sanitary Freeze Resistant
LK4591	35-1/4 x 17 x 14	155		
LK4400	42-3/16 x 14 x 14	134	1	1
LK4400DB	42-3/16 x 22 x 14	144		



1 Available option
Note: If blank, option not available

TUBULAR STEEL DRINKING FOUNTAIN ACCESSORIES



97887C

Non-Locking Hose Bib

This kit will modify LK4400 Series Pedestal Fountains to provide the added ability to connect garden hoses or fill pails in outdoor applications. Ideal for golf courses, ball parks, and swimming pools for irrigation purposes.



97889C

Locking Hose Bib

Same as a Hose Bib Kit but with a panel and a door that can be secured with a standard padlock (not included) to minimize tampering.



97890C

Direct Bury Kit

Makes rough-in and installation easier for all models of non-freeze resistant tubular fountains. Opening in adaptor allows for simplified routing of water supply and drain into the fountain body. 3/4" rods provide added stability.

**Now Available
In 16 Colors!**

Tubular Steel Drinking Fountains Color Options

Elkay Tubular Steel Drinking Fountains are now available in a choice of 16 colors! In addition to standard textured evergreen, choose from 15 new colorful options all with a textured river finish.



Evergreen



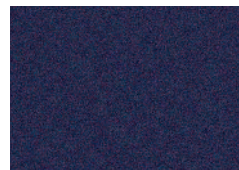
Moss



Slate



Blue



Navy



Purple



Terracotta



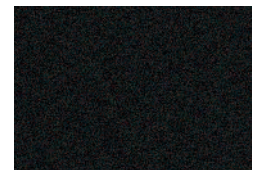
Red



Brown



Maroon



Black



Orange



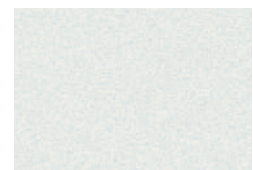
Yellow



Gray



Beige



Neutral

REMOTE WATER CHILLERS

Standard Features

- Converts any Drinking Fountain into a Water Cooler.
- One Chiller Can Service Up To Three Fountains.
- Rated For Indoor Service.
- Galvanized Steel Cabinet.
- Hermetically Sealed Compressor.

Uses

Schools, Offices — Convert existing wall fountains into refrigerated water coolers by installing the compact chiller within, or behind building walls.

Factories — Save floor space and protect water chiller from damage by installing chiller overhead and out of the way.

Chillers used in non-drinking water applications are not covered under warranty.

Multiple-Outlet Capacities

Water chiller capacity to provide 50°F drinking water is based on adequately insulated water supply lines and stations positioned no farther than 15 feet from chiller.

Model #	Service
ERS1,* ER2*	1 station
ER5,* ECH8	1 station
ER10	2 stations
ER19, ERW20	3 stations
ER30, ERW32	3 stations

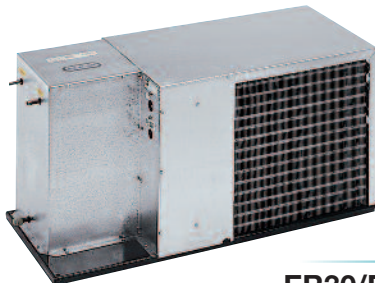
*Small capacity chiller, designed for domestic or small office use.



ER5/ER10



ECH8



ER30/ERW32

Options / Upgrades



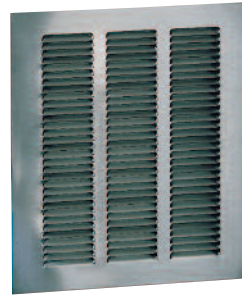
Model #	Capacity*	Full Load Amps	Watts	Compr. H.P.	Ship. Wt. Lbs.	220 Volts	Overall Sizes in Inches H x L x D
ERS1*	1.5	1.7	155	1/18	35	1	14 x 7 x 17
ER2	2.5	2.5	230	1/20	48	1	15-3/4 x 13-1/2 x 10-1/2
ER5	5.7	2.5	230	1/5	72	1	22 x 19-1/2 x 7-7/8
ECH8	8.0	4.0	370	1/5	47	1	17-1/8 x 13-1/4 x 10-1/4
ER10	9.6	5.8	535	1/4	73	1	22 x 19-1/2 x 7-7/8
ER19	19.0	9.0	830	3/4	100	1	25-3/4 x 23 x 10-1/4
ER30	29.5	14.0	1290	1	121	1	16 x 33-3/4 x 13-3/4
ERW20**	19.8	10.0	1150	3/4	100	1	25-3/4 x 23 x 10-1/4
ERW32**	31.9	16.0	1840	1	120	1	16-1/8 x 33-1/4 x 13-3/4

*All Stainless Steel waterway. ** Water cooled.

LOUVERED GRILLS

Ventilating louvered grills for use with remote chillers are available in polished stainless steel or steel with base coat primer.

Model #	Ship. Wt. Lbs.	Overall Size			Finish	Use with Chiller Model Nos.
		H	L	D		
EG1	8	28	21	1/2	Stainless Steel	ERS1, ER2, ECH8
EG2	8	28	21	1/2	Prime Painted Steel	ERS1, ER2, ECH8
EG3	10	26 1/2	26	1/2	Prime Painted Steel	ER5, ER10, ER19

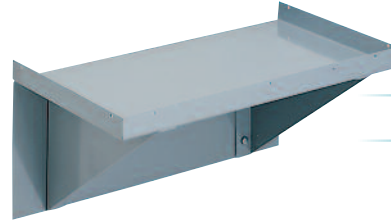


EG1

POST-MOUNT SHELVES WITH BRACKETS

Easy-to-install welded angle brackets mount on post, beam, column or wall. Designed to hold remote chillers. One-piece, raised edge shelf. Fabricated of heavy-duty galvanized steel.

Model #	Ship. Wt. Lbs.	Overall Size		Use with Chiller Model Nos.
		L	D	
PM3	11	20	11	ER5, ER10
PM4	16	23 1/2	13	ER19, ERW20

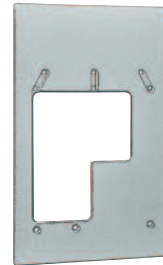


PM3

WALL BEZEL

Model No. RP2130

Accessory wall bezel designed for users who are remodeling to meet ADA requirements. Gray bezel will cover wall surface imperfections left when replacing water cooler models **HEW, EWA** and **EWCA** with ADA compliant models **EZ, EZS, LZ** and **LZS** models.



RP2130

ACCESS PANEL KIT

Model No. AP99-(Not Pictured)-For use with units that have traps behind wall.

WP2 WALL PLATE

Optional for Soft Sides® models **EDFP210C** and **EDFP214C** single station drinking fountains. 10 1/2" H x 16 1/8" L x 5/8" D.

Color-Stainless steel polished to a satin finish.



WP2

WATER FILTERS

For use in Elkay water coolers, drinking fountains, classroom bubblers and instant hot water and cold water dispensers. Designed to remove cysts such as cryptosporidium and giardia, lead particles and chlorine. Tested and **certified to NSF/ANSI 42 and 53**. Features Quick-Disconnect, 1/4 turn installation.

Model No. EWF172-WaterSentry® VII Filter Kit. 1,500 gallon capacity, 3-1/4" x 12-1/2" O.D.

Model No. 51299C-Replacement cartridge for **EWF172** filter.

Model No. LF2-In-Line Water Filter. 750 gallon capacity.

Model No. 56192C-Replacement cartridge for **LF2** filter.



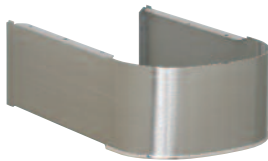
EWF172



LF2

AUDIO FILTER MONITOR

Model No. 98262C-(Not Pictured) Internal audio signal for use with **EWF172** and **LF2** filters.



LKAPR2



LKAPREZL

CANE APRONS

Available as accessory items only. Not factory installed.

Model Series	Cane Apron	Description
EMABF, LMABF	98313C	Light Gray Granite Vinyl Clad Steel
EMABF, LMABF, VRC	98324C	Stainless Steel
EZ, LZ	LKAPREZL	Gray ABS Plastic
Soft Sides®	97258C	Black ABS Plastic
Soft Sides® Heavy Duty	LKAPR2	14 Gauge Stainless Steel
SwirlFlo®	LKAPR1	Gray ABS Plastic



LK1110



LK1114

NO LEAD GLASS FILLERS

Model No. LK1110

Stainless steel gooseneck glass filler with push lever. Overall height, 8 1/4 inches.

Note: When ordered with pressure cooler, glass filler LK1110 includes factory-installed plumbing. LK1110 ordered with fountain includes mounting hardware and tee to connect supply line (only available for use on certain models).

Model No. LK1114

Stainless steel gooseneck glass filler with push down control. Overall height, 10 inches.

Note: When ordered with pressure cooler, glass filler LK1114 includes factory-installed plumbing. LK1114 ordered with fountain includes mounting hardware and tee to connect supply line (only available for use on certain models).

Model No. LK109A

Cup and carafe filler for recessed water coolers and EHF Series. Factory installed only.

Note: When ordered with pressure cooler, glass filler LK109A is furnished completely installed. LK109A ordered with fountain includes supply tube.



LK109A



LK142

NO-LEAD BUBBLER KITS

Safety Bubbler Models

Model No. 56073C

Flexi-Guard® antimicrobial bubbler.



Model No. 98501C

Flexi-Guard® antimicrobial StreamSaver™ bubbler.

Vandal-Resistant Models

Model No. 97446C

Heavy-duty, chrome-plated brass bubbler.



Model No. 98481C

Heavy-duty, chrome-plated brass StreamSaver™ bubbler.

Pushbutton Model

Model No. LK142

Self-closing bubbler with pressure regulator. Removable cartridge for easy servicing. Uses no-lead containing materials.



Reduces water usage by nearly 40% over average market performance.



98481C



98501C

IN-WALL CARRIER MOUNTING SYSTEMS

MLP100- Single In-Wall Mounting Frame used on **EZ, LZ, EMABF, LMABF, VRC, LVRC** Models

MLP200- Bi-Level In-Wall Mounting Frame used on **EZSTL, LZSTL, EMABFTL, LMABFTL, VRCTL, LVRCTL** Models

ML100- In-Wall Support Legs (To be used with **MPW101, MPW200, MPW201** Mounting Plates - (not pictured)

MPW101- Single In-Wall Mounting Plate used on **EDFP210, EDFP214, EDFPB114, EDFPBW114, EHW214** Models (not pictured)

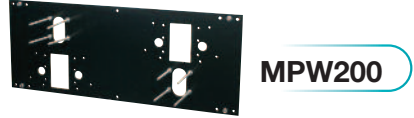
MPW200- Bi-Level In-Wall Mounting Plate used on **EDFP217, EDFPB117, EHW217** Models

MPW201- In-Wall Multi-Station Mounting Plate used on **Model EDFP220** (not pictured)



MLP100

MLP200



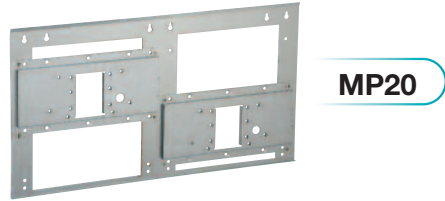
MPW200

MOUNTING PLATES

Optional **Surface mounting plates** for installations requiring additional support. Secure directly to a variety of load-bearing surfaces (not pictured).

MP20-Two-level surface mounting plate for use with fountain models **EDFP217C** and **EDFP217FPK**.

MP20RA-Two-level surface mounting plate for use with reversed fountain model **EDFP217RAC** (not pictured).



MP20

MOUNTING FRAMES (Included with unit.)

MB23A-Single station mounting frame for use with models **EFRCM8CDK, EFRCM8K, EFRCM12CDK, EFRCM12K** and **EFRPCM8K**.

MB23AL-Single station mounting frame for use with models **LJNEM8K** and **LJNEM12K** (not pictured).

MB24-Single station mounting frame for **EFRPCM8K** cuspidor (not pictured).

MB30-Single station mounting frame for use with model **EHFRAM7K** (not pictured).

MF100-Single station mounting frame for use with models **ENOBM8K, ERFPM8K, EROM8K, ERPBM8K, LNFEM8K** and **LRPBM8K**.

MFC100-Single station child mounting frame for use with models **ECRSPM8K** and **LCRSPM8K** (not pictured).

MF200-Two-level mounting frame for use with models **ENOBM28K, ENOBM28RAK, ERFPM28K, ERFPM28RAK, EROM28K, EROM28RAK, ERPBM28K, ERPBM28RAK, LNTEM8K, LNTEM8RAK, LRPBM28K** and **LRPBM28RAK**.



MF100

MB23A

MF200

TOOLS (Not Pictured)

75520C-Vandal Resistant Pinned Torx® Bit T-25

75523C-Vandal Resistant Pinned Torx® Bit T-20

INDEX

Elkay Model	Page	Elkay Model	Page	Elkay Model	Page
AP99	44	ERFPM28K	15	LRPBM28K	17
DRKR10C	35	ERFPM8K	14	LRPBM8K	16
DRKR14C	35	EROM28K	15	LVRC8S	11
DRKR14RC	35	EROM8K	14	LVRCGRN8F	6
ECDFPW314C	22	ERPBM28K	17	LVRCGRNTL8FC	6
ECH8	43	ERPBM8K	16	LVRCTL8SC	11
ECRSPM8K	14	ERS1	43	LWAE8	30
EDF15R	35	ERW20	43	LWCE8	31
EDF210C	36	ERW32	43	LZO8	8
EDF214WC	37	ESWA8	29	LZOD	8
EDF310C	36	ESWDA	29	LZOSTL8C	8
EDFB12C	28	EWA14	30	LZOSTLDC	8
EDFBC12PBC	28	EWA16	30	LZS8	10
EDFBC212C	28	EWA20	30	LZS8WS	4
EDFP19C	34	EWA4	30	LZSDWS	4
EDFP210C	37	EWA8	30	LZSTL8C	10
EDFP210RC	37	EWCA14	31	LZSTL8WS	4
EDFP214C	22	EWCA4	31	LZSTLDDWS	4
EDFP214RC	26	EWCA8	31	LZWSM8K	5
EDFP217C	23	EWCA8	31	LZWSM8PK	5
EDFP217RAC	23	EWDA	30	LZWSM8PK	5
EDFP220RC	27	EWDA	30	LZWSM8PK	5
EDFPB114C	24	EWFA172	44	LZWSDPK	5
EDFPBM117C	25	EWTLA14	30	LZWSRK	4
EDFPBM117RAC	25	EWTLA16	30	MB23A	46
EDFPBWM114C	24	EWTLA8	30	MB23AL	46
EDFPVR217RC	26	EZO8	9	MB30	46
EDFPVR320RC	27	EZOD	9	MF100	46
EFA14	33	EZOSTL8C	9	MF200	46
EFA16	33	EZS8	10	MFC100	46
EFA20	33	EZSD	10	ML100	46
EFA4	33	EZSTL8C	10	MLP100	46
EFA8	33	EZSTLDDC	10	MLP200	46
EFDA	33	EZSTLR8C	10	MP20	46
EFHA8	33	FD70010	32	MP20RA	46
EFOA8	33	FD7003	32	MPW101	46
EFRCM12CDK	18	FD7005	32	MPW200	46
EFRCM12K	18	FD700D	32	MPW201	46
EFRCM8CDK	18	HEW3	31	OHFAVR8	13
EFRCM8K	18	HEWD	31	PM3	44
EFRPCM8K	18	LCRSPM8K	14	PM4	44
EFW16	33	LF2	44	RP2130	44
EFWC16	33	LFAE8	33	VRC8S	11
EFY8	33	LFDE10	32	VRCDS	11
EG1	44	LJNEM12K	18	VRCGRN8	6
EG2	44	LJNEM8K	18	VRCGRNTL8C	6
EG3	44	LK109A	45	VRCHD8S	7
EHFRAM7K	19	LK1110	45	VRCHDDS	7
EHFSA8	13	LK1114	45	VRCHDTL8SC	7
EHFSAD	13	LK142	45	VRCTL8SC	11
EHWM14C	20	LK4400	41	VRCTLDDSC	11
EHWM17C	21	LK4400DB	41	VRCTLR8SC	11
EHWM214C	20	LK4405	39	WP2	44
EHWM217C	21	LK4410	39	51299C	44
EMABF8	12	LK4420	38	56073C	45
EMABFD	12	LK4420DB	38	56192C	44
EMABFTL8C	12	LK4430	38	75520C	46
EMABFTLDDC	12	LK4590	40	75523C	46
EMABFTLR8C	12	LK4591	41	97258C	45
EMABFTLRDDC	12	LK4593	40	97446C	45
ENOBM28K	17	LK4595	40	97887C	42
ENOBM8K	16	LKAPR1	45	97889C	42
ER2	43	LKAPR2	45	97890C	42
ER10	43	LKAPREZL	45	98262C	44
ER19	43	LMABF8	12	98313C	45
ER30	43	LMABFTL8C	12	98324C	45
ER5	43	LNFBEM8K	14	98481C	45
		LNTEM8K	15	98501C	45



ELKAY®

Coast-To-Coast Elkay Sales Network

Our national sales presence and extensive distributor base provide excellent service and convenience. For the name of your nearest Elkay Sales Rep or Wholesaler:

- Visit the "Where to Buy" area on elkayusa.com
- Call Customer Care at 630.572.3192

Elkay Technical Support

- Help is always just "One Call" away.
- Trained factory technicians available during business hours, 5 days a week
- 98% of technical service inquiries handled on the first call

Visit elkayusa.com

- Up-to-date product specification sheets
- Current catalog and pricing
- Local sales rep locator
- Warranty information
- Where to buy our products
- Service information
- How to contact Elkay



Printed on Recycled Paper

© 2010 Elkay Printed in U.S.A. (4/10) F-4293

Throughout the birth and growth of the Elkay Plumbing Products Division, the leadership and vision of Elkay's founders has always been maintained: provide better customer service, higher quality and more innovation than our competitors. We invite you to learn more about our products and services.

Contact Information

Website: elkayusa.com

Corporate Headquarters:
630.574.8484

Fax: 630.574.4509

2222 Camden Court
Oak Brook, Illinois 60523

Water Coolers + Drinking Fountains Warranty and Technical Assistance Process

SERVICE INFORMATION
TOLL FREE NUMBER
1.800.260.6640

When calling, have the model and serial number information from the data label available.